

# Empipe

2889  
INSTRUCTION MANUAL



EN

# CONTENTS

Product Introduction	3
Warranty	4
Assembly Instructions	5
_List of Parts	5
_Tools Necessary	7
_Instructions	8
Aftercare instructions	12
Contact Us	13

Please read the operation manual before using the product.

Please put the operation manual in the place easy for you to read and you can read it at any time.

**Product Name: Empipe**  
**Product Code: 2889**

Thank you for placing your order with the DIR. Our materials inc. faux leather etc, are specially sourced to provide quality and performance, as well as meeting UK/EU safety regulations to ensure customer satisfaction.

All of our mens barber chairs are produced with strong resilient faux leather, tested by our manufacturer to ensure strength, memory, heat resistance and stain proofing. We also fit our chairs with fire-retardant, pre-moulded memory foam to ensure continual use and sustained durability, as well as a heavy duty hydraulic base we offer a one year warranty to ensure customer confidence in our products and our company.

# WARRANTY

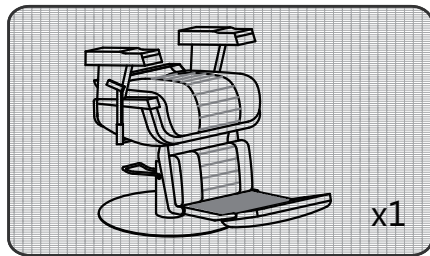
The warranty period is one year. DIR warrants to you, the original buyer, that goods shall be free of defects in material and/or workmanship attributable to manufacture for one year from date of buyer's receipt of product. Damage resulting from improper handling after merchandise is received, or from exposure to weather or extreme atmospheric conditions is not covered by the warranty.

For any other information please contact our support team:

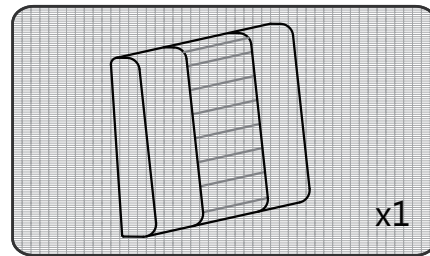
<b>DIR BIRMINGHAM</b>	<b>DIR LONDON</b>	<b>DIR NEW YORK</b>	<b>DIR COLOGNE</b>	<b>DIR IRELAND</b>
93-96 Floodgate Street Birmingham B5 5SR UK ----- Tel: +44(0)121 6433877 ----- Email: sales@dirgroup.co.uk	Unit 1 River Road Business Park 33 River Road, Barking Greater London IG11 0DA UK ----- Tel: +44(0)20 8591 9310 ----- Email: sales.london@dirgroup.co.uk	24 Woodward Ave. Suite C Queens, NY 11385 USA ----- Tel: +1 (718)628-6668 +1 (800)728-2008 ----- Email: sales@dirsalonfurniture.com	Konrad-Adenauer-Straße 25 50996 Köln Germany ----- Tel: + 49 (0) 221/88888.128 ----- Email: sales@dirgroup.de	Unit 5 Block E, Riverview Business Park, Nangor Road, Dublin 12 Republic of Ireland ----- Tel: + 353 (01) 429 7969 ----- Email: sales.ireland@dirgroup.ie

## ASSEMBLY INSTRUCTIONS

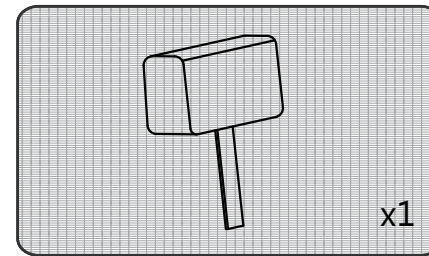
### List of Parts



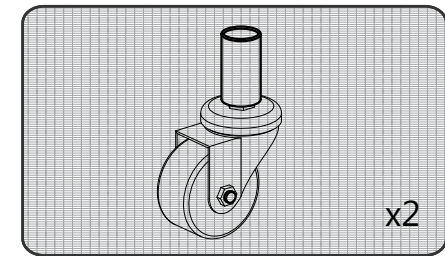
Seat



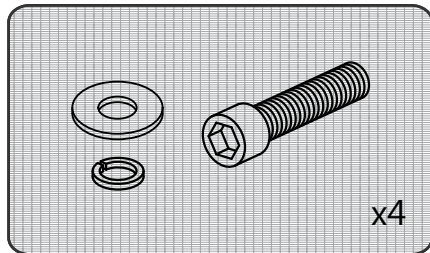
Back



Pillow



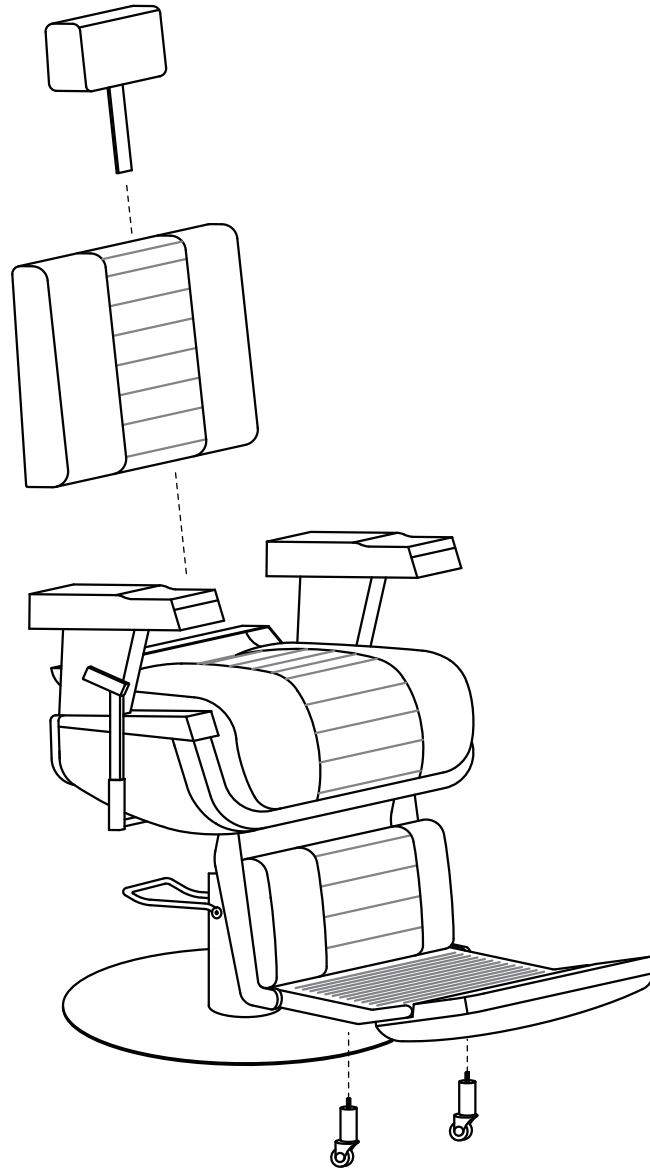
Caster Wheel

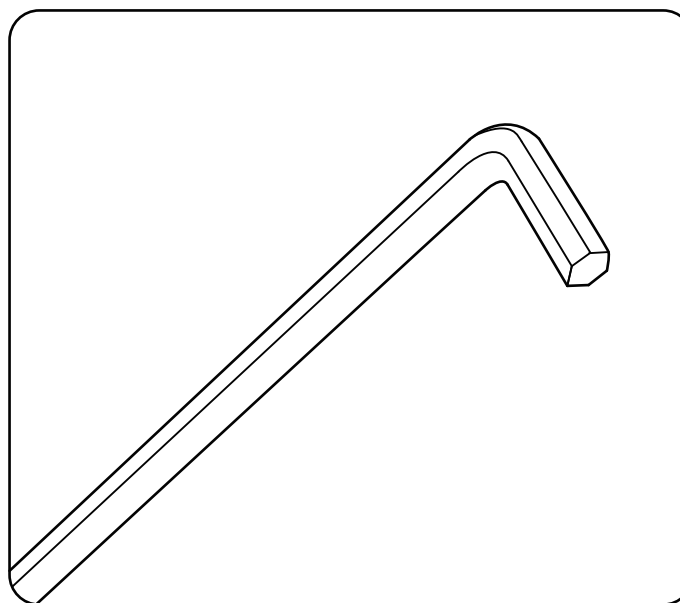


Screw (M8x50mm) & Gasket



# ASSEMBLY INSTRUCTIONS

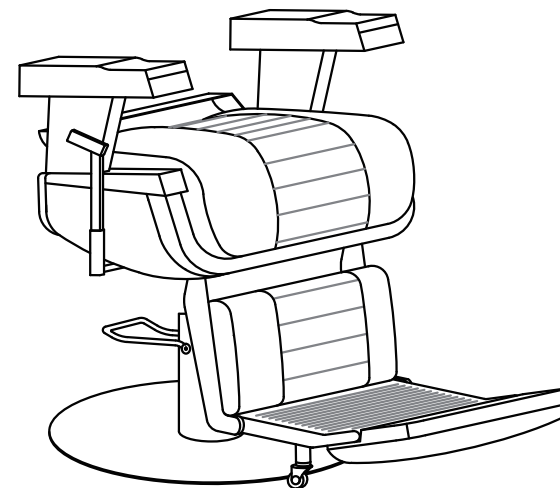
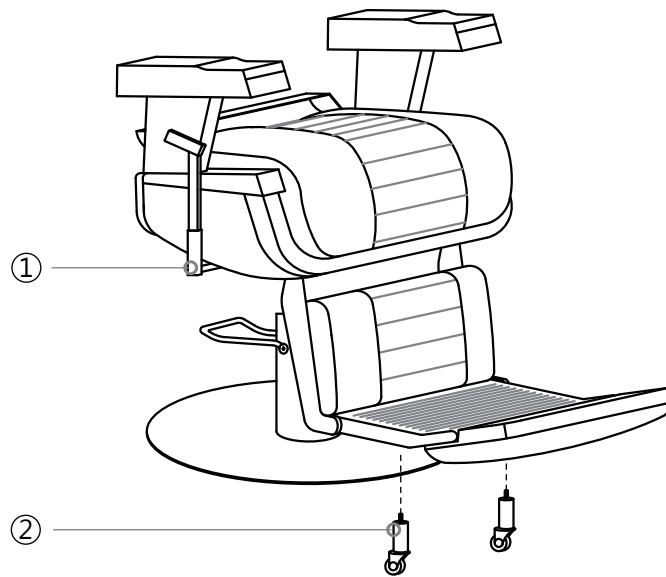
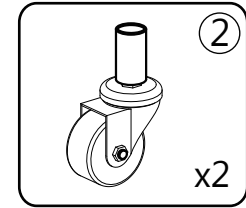
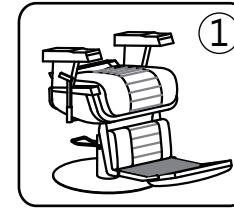




6mm Allen Key

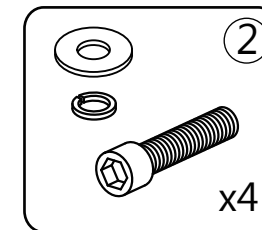
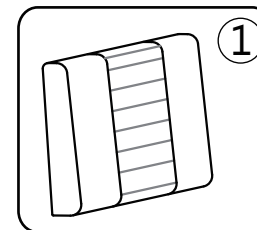
# ASSEMBLY INSTRUCTIONS

Instructions: Step 1

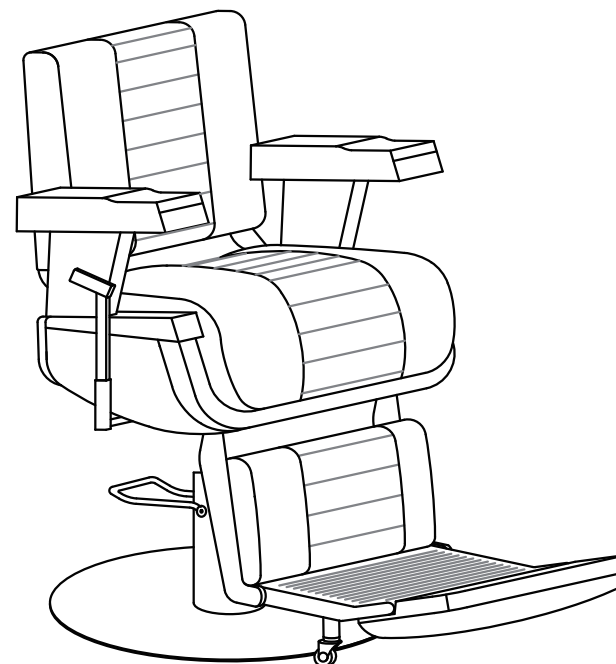
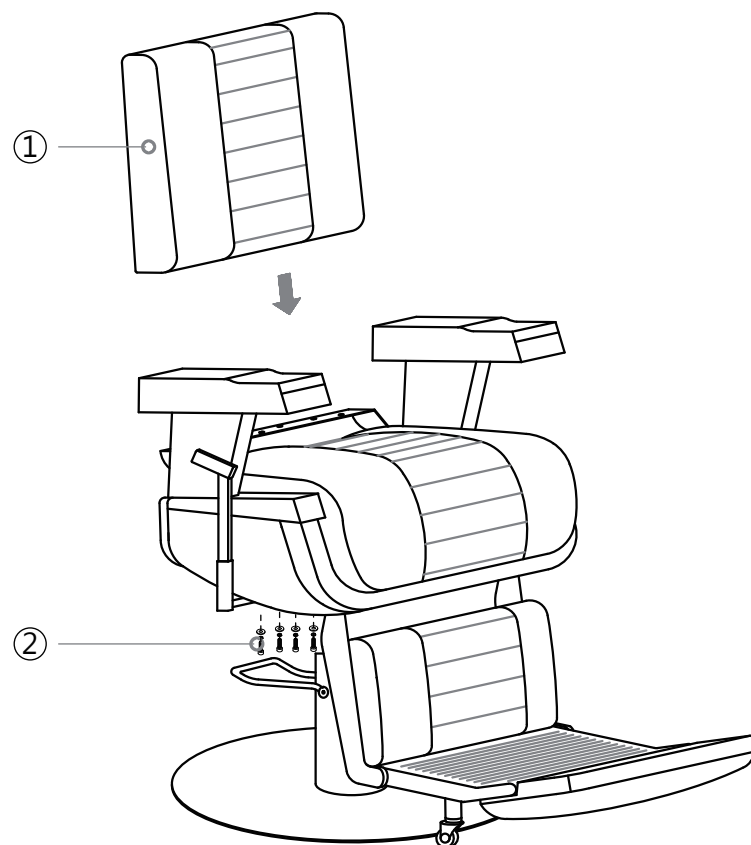




## ASSEMBLY INSTRUCTIONS



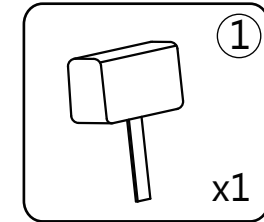
### Instructions: Step 2



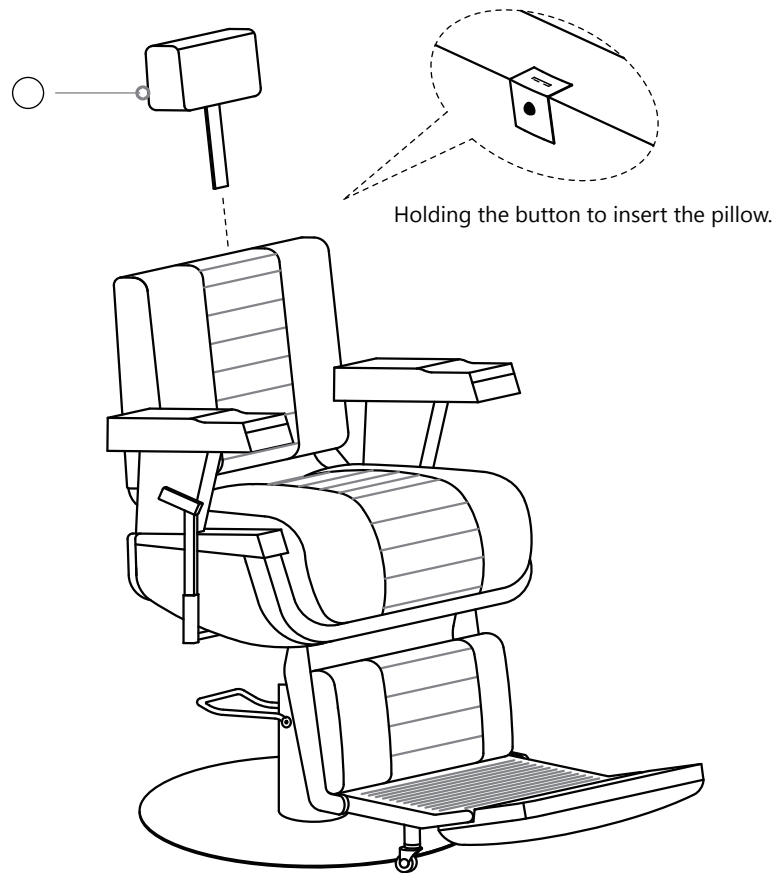
# ASSEMBLY INSTRUCTIONS

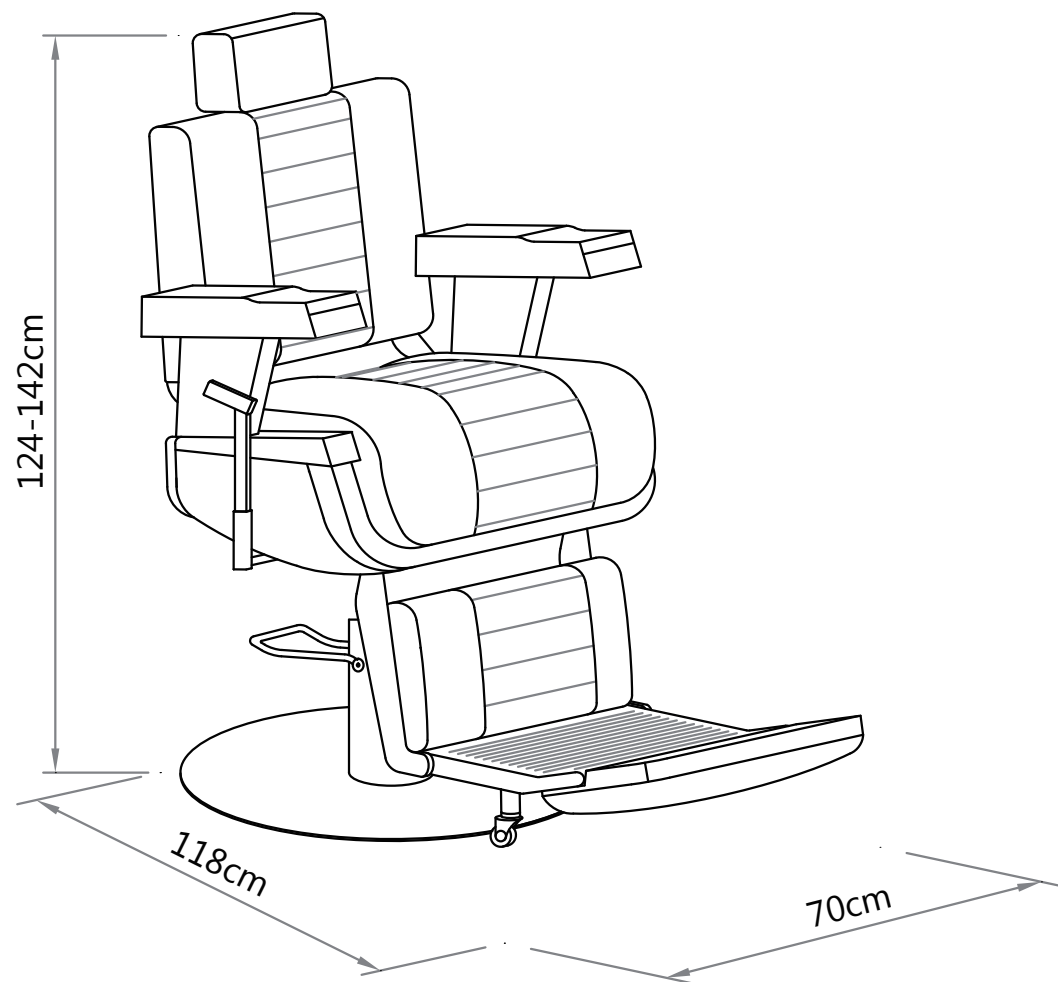
# DIR

www.dirgroup.co.uk



## Instructions: Step 3





Assembly Complete

### DIR BIRMINGHAM (HEADQUARTERS)

93-96 Floodgate Street  
Birmingham  
B5 5SR  
UK  
Sales: +44(0)800 085 3667  
Customer Service: +44(0)121 6433877  
Fax: +44(0)121 6333291  
Email: sales@dirgroup.co.uk  
Website: www.dirgroup.co.uk

### DIR LONDON

Unit 1 River Road Business Park  
33 River Road, Barking  
Greater London IG11 0DA  
UK  
Sales: +44(0)20 8591 9310  
Fax: +44(0)20 8594 4147  
Email: sales.london@dirgroup.co.uk  
Website: www.dirgroup.co.uk

### DIR NEW YORK

24 Woodward Ave.  
Suite C  
Queens, NY 11385  
USA  
Sales: +1 (718)628-6668  
+1 (800)728-2008  
Fax: +1 855-628-5168  
Email: sales@dirsalonfurniture.com  
Website: www.dirsalonfurniture.com

### DIR COLOGNE

Konrad-Adenauer-Straße 25  
50996 Köln  
Germany  
Sales: + 49 (0) 221 / 88888.128  
Fax: + 49 (0) 221 / 88888.122  
Email: sales@dirgroup.de  
Website: www.dirgroup.de

### DIR IRELAND

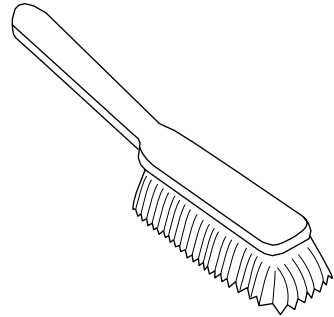
Unit 5 Block E  
Riverview Business Park  
Nangor Road  
Dublin 12  
Republic of Ireland  
Sales: +353 (01) 429 7969

Email: sales.ireland@dirgroup.ie  
Website: www.dirgroup.ie

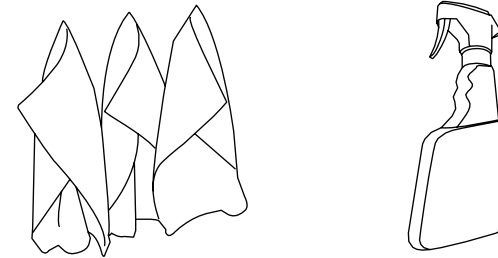
### FOLLOW US

If you have any enquires regarding the product warranty, please contact our customer services team.

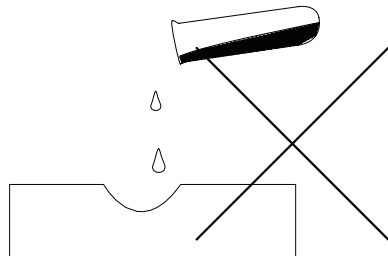
# AFTERCARE INSTRUCTIONS



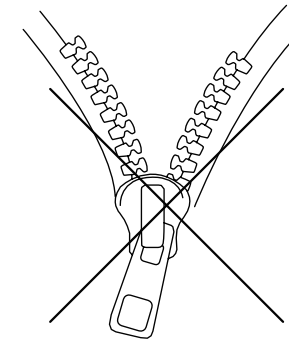
Brush away excess hair



Wipe clean with a cloth dampened in a mild leather cleaner or wipe dry with a clean cloth



Avoid the use of abrasives, bleaches or solvents



Never remove and wash leather covers

**After an initial period of use, check all fastenings for any loosened screws etc. If found, please tightened appropriately**

**[www.dirgroup.co.uk](http://www.dirgroup.co.uk)**