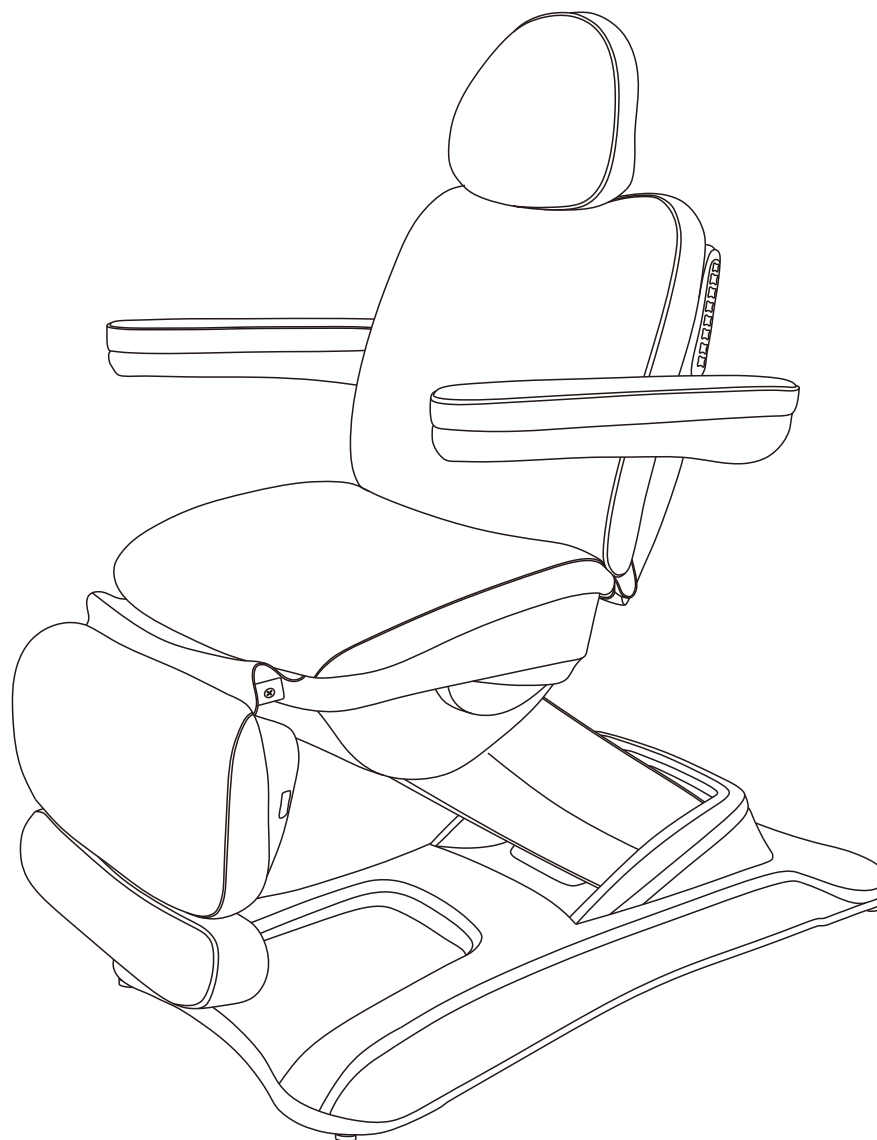


DIR[®]

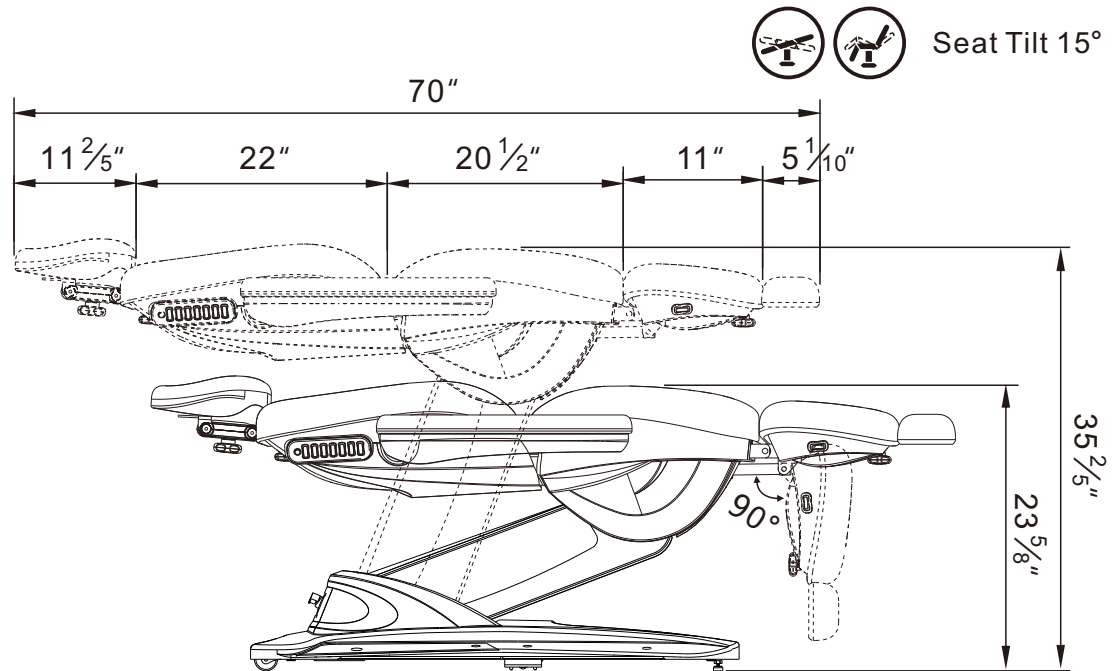
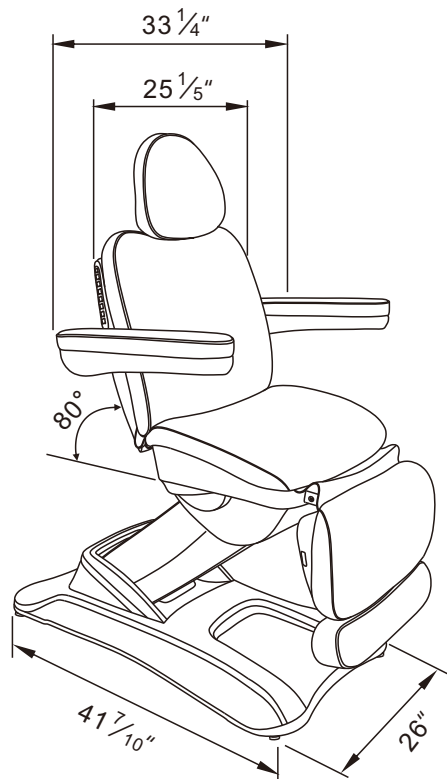
NuvoSpa

8755

INSTRUCTION MANUAL



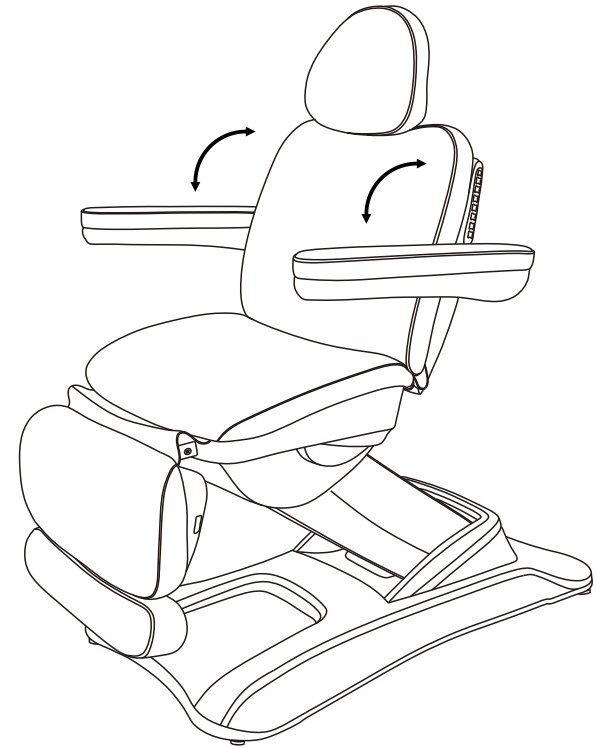
Technical Data	UK	USA
Maximum Load	200kg	440lb
Net weight	94kg	207lb
Adjustable Range of Height	61~91cm	24"~35 ⁴ / ₅ "
Foam	10cm	4"
Input Voltage	AC 220~240V	AC 100~120V



Headrest Locking Knob

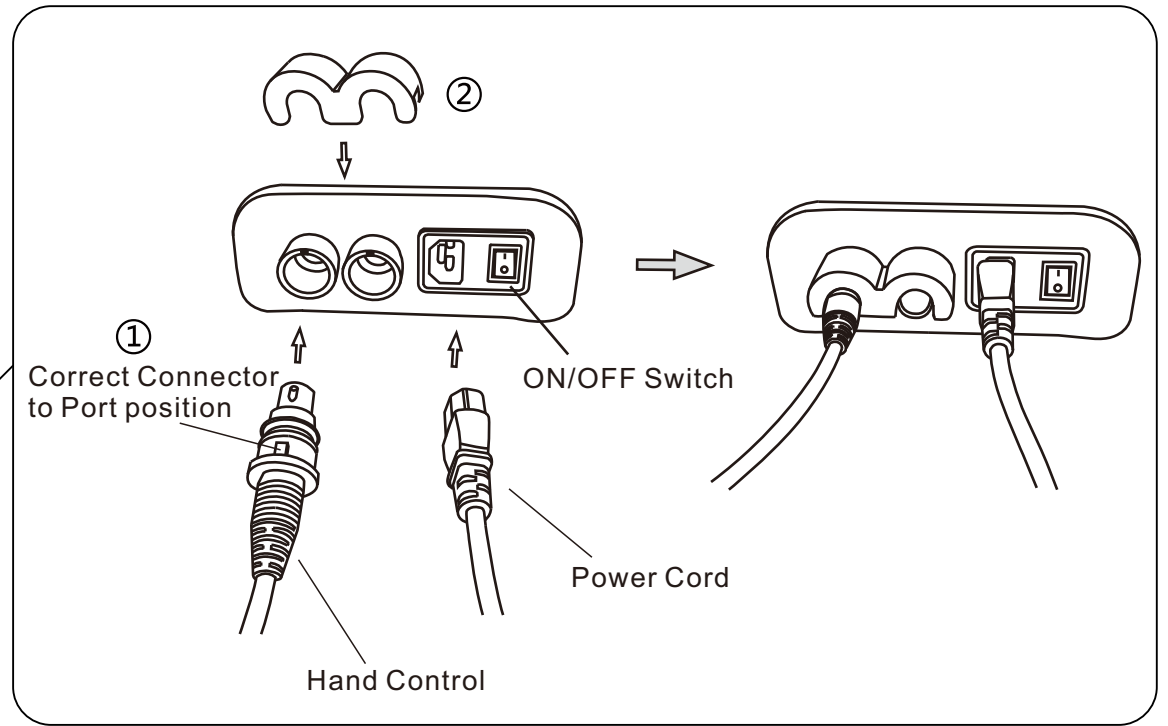


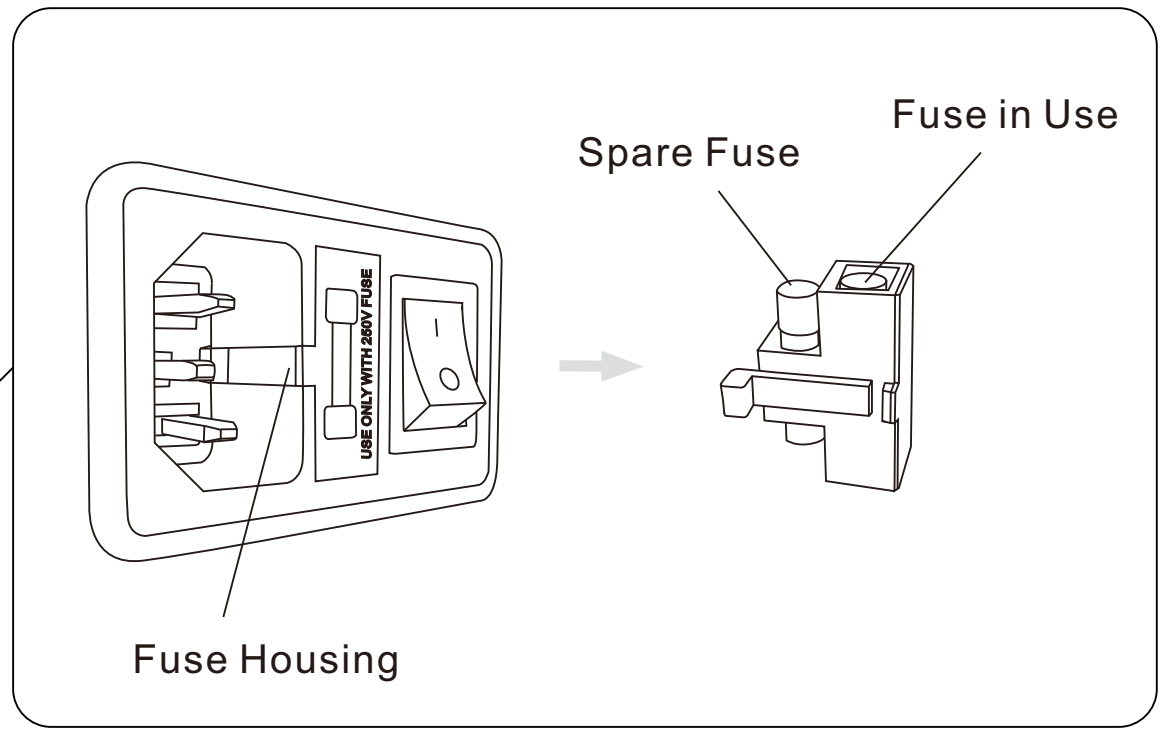
Armrest Installation



1

2



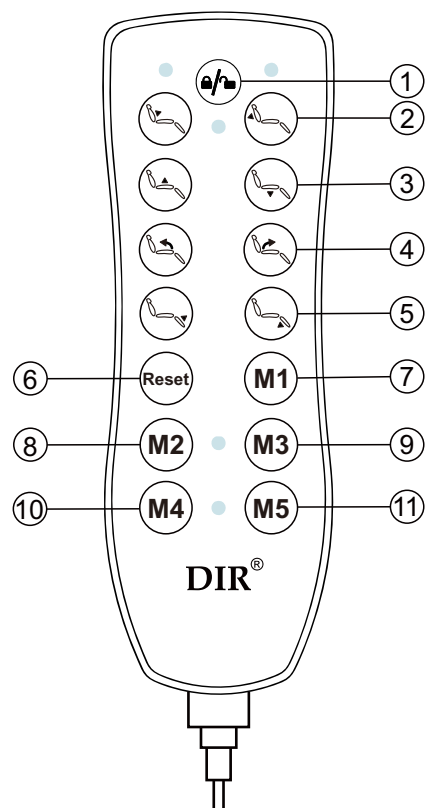


Fuse Housing

Spare Fuse

Fuse in Use

Hand Remote Function



Press button ① to deactivate the backlight and lock all keys.
Press button ① again to unlock them.

Press button ② to adjust the backrest up and down.

Press button ③ to adjust the whole bed up and down.

Press button ④ to adjust the incline angle for the seat.

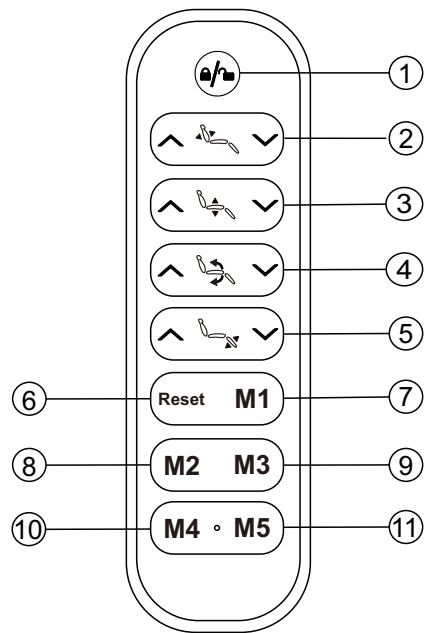
Press button ⑤ to adjust the footrest up and down.

Press button ⑥ resets the bed platform.

Press button ⑦ ⑧ ⑨ ⑩ ⑪ for your pre-set preferred height & chair position, up to five settings.

(To save the current configuration of the bed platform, press and hold Button ⑦ ⑧ ⑨ ⑩ ⑪)

Backrest Controller:



Press button ① to deactivate the backlight and lock all keys.
Press button ① again to unlock them.

Press button ② to adjust the backrest up and down.

Press button ③ to adjust the whole bed up and down.

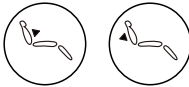
Press button ④ to adjust the incline angle for the seat.

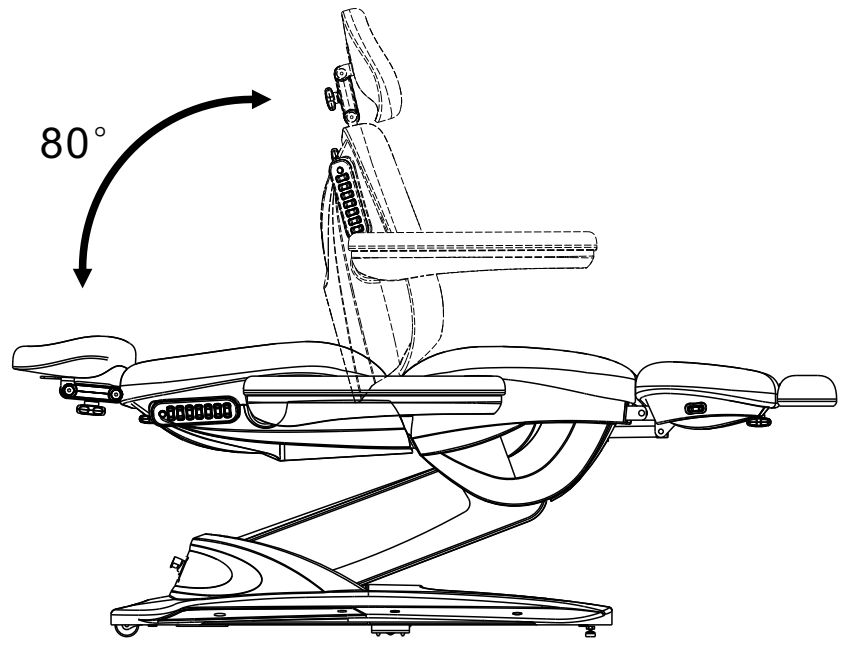
Press button ⑤ to adjust the footrest up and down.


Press button ⑥ resets the bed platform.

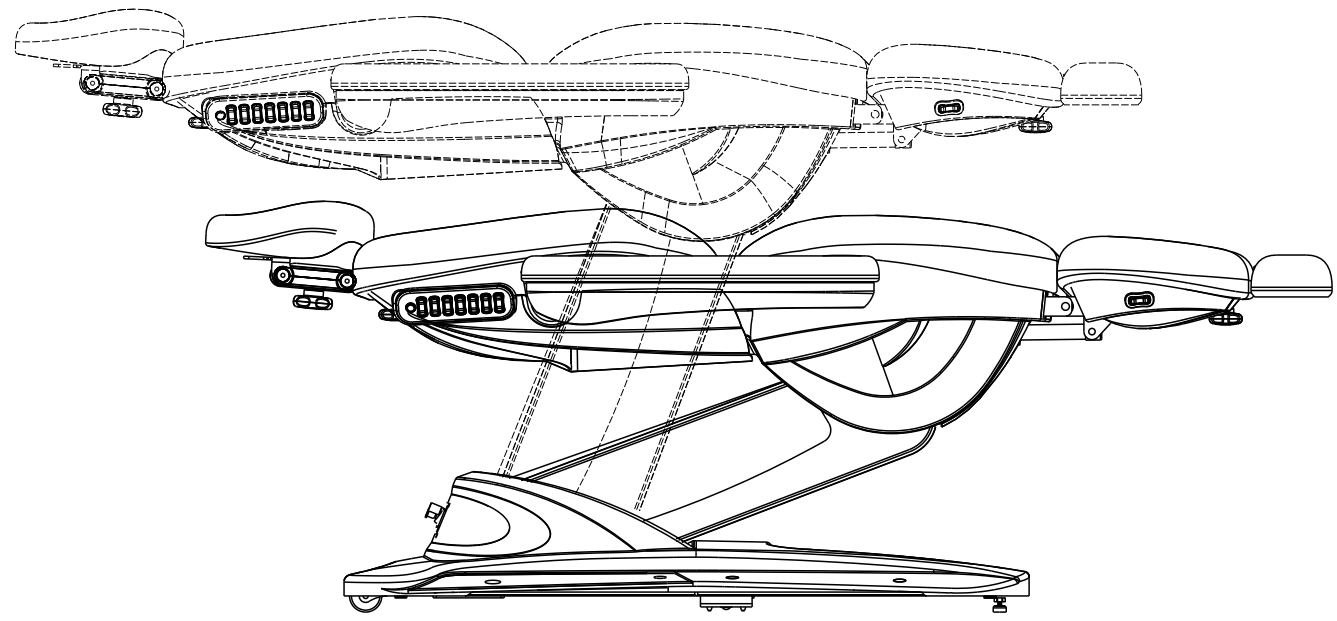
Press button ⑦ ⑧ ⑨ ⑩ ⑪ for your pre-set preferred height & chair position, up to five settings.

(To save the current configuration of the bed platform, press and hold Button ⑦ ⑧ ⑨ ⑩ ⑪)

Backrest Adjustment 

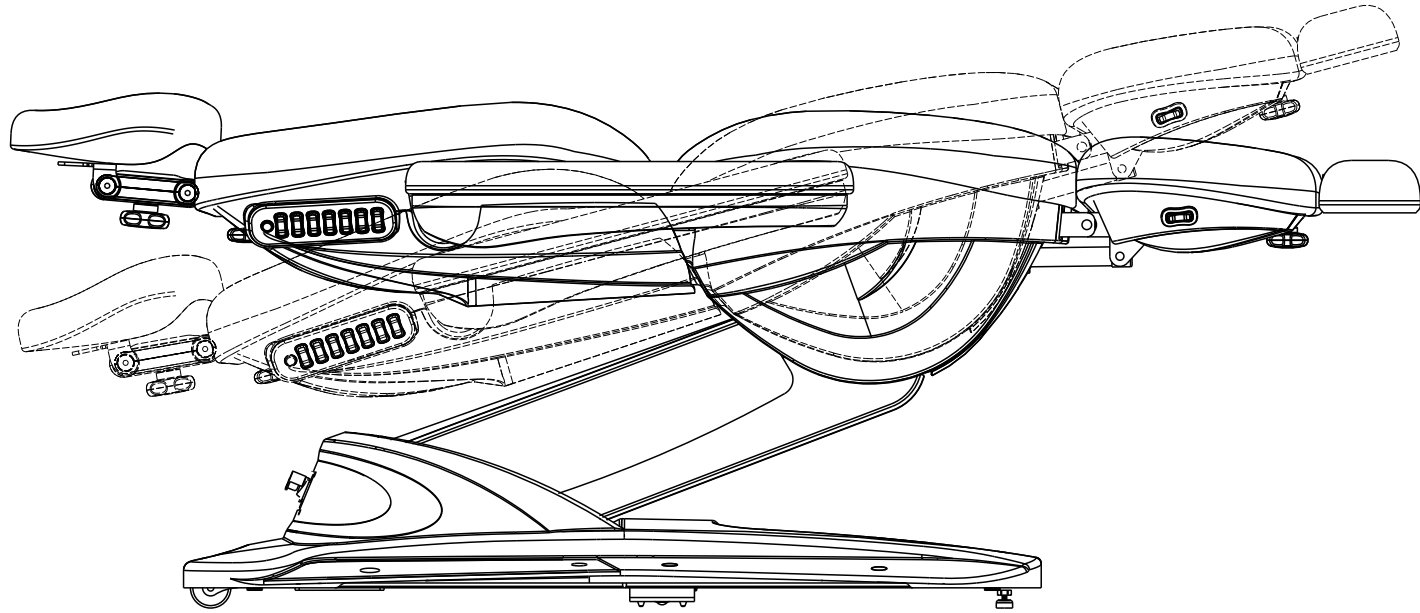


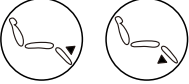
Height Adjustment 

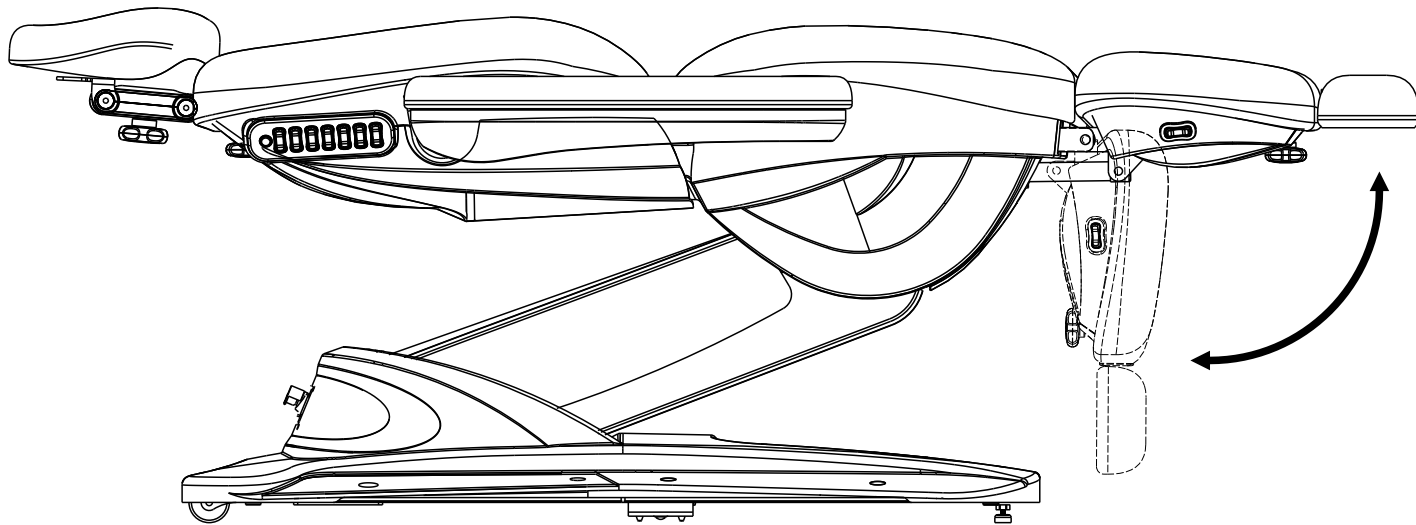


Seat Adjustment 

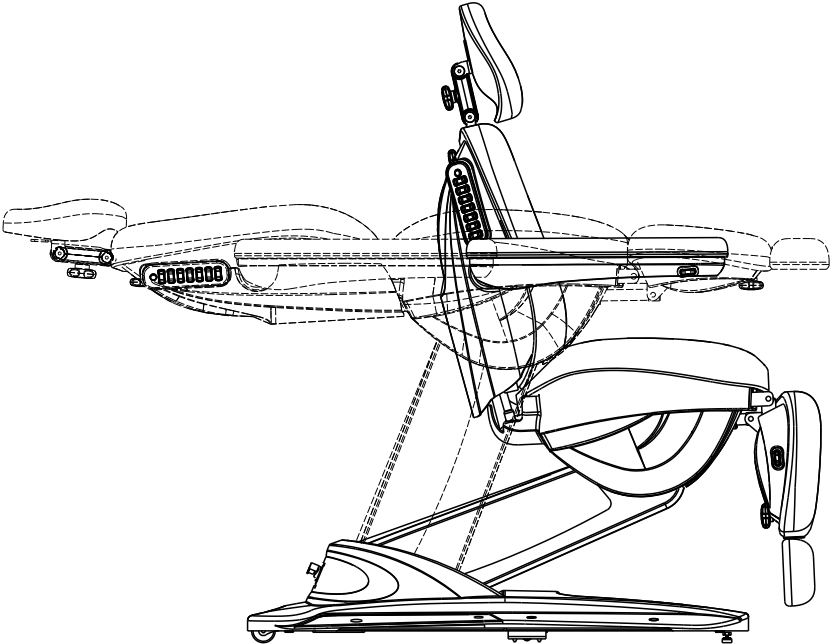
15°



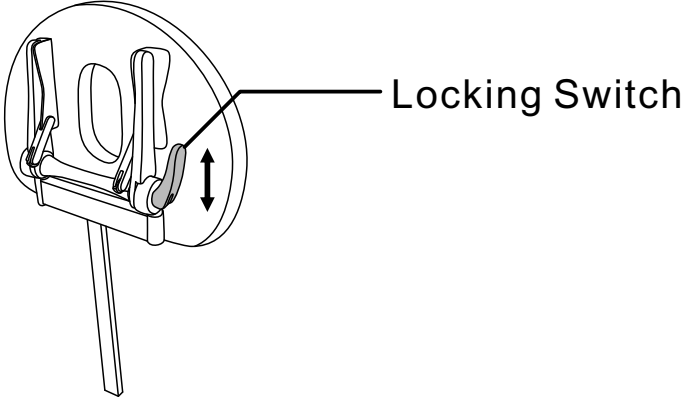
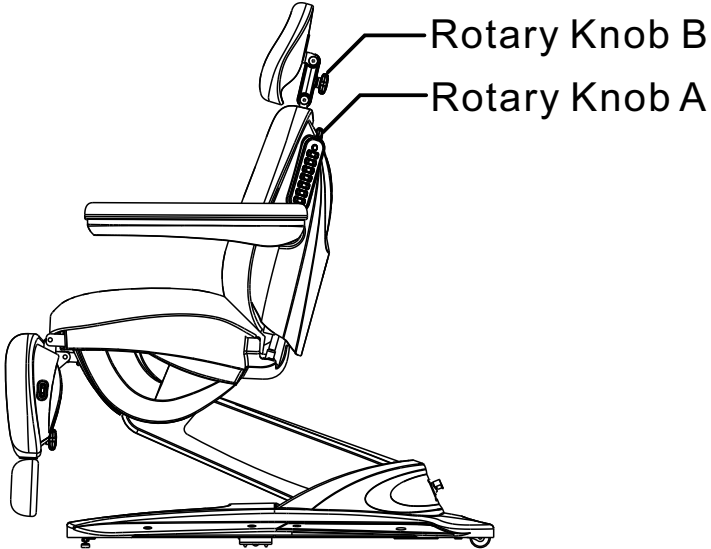
Leg Rest Adjustment 



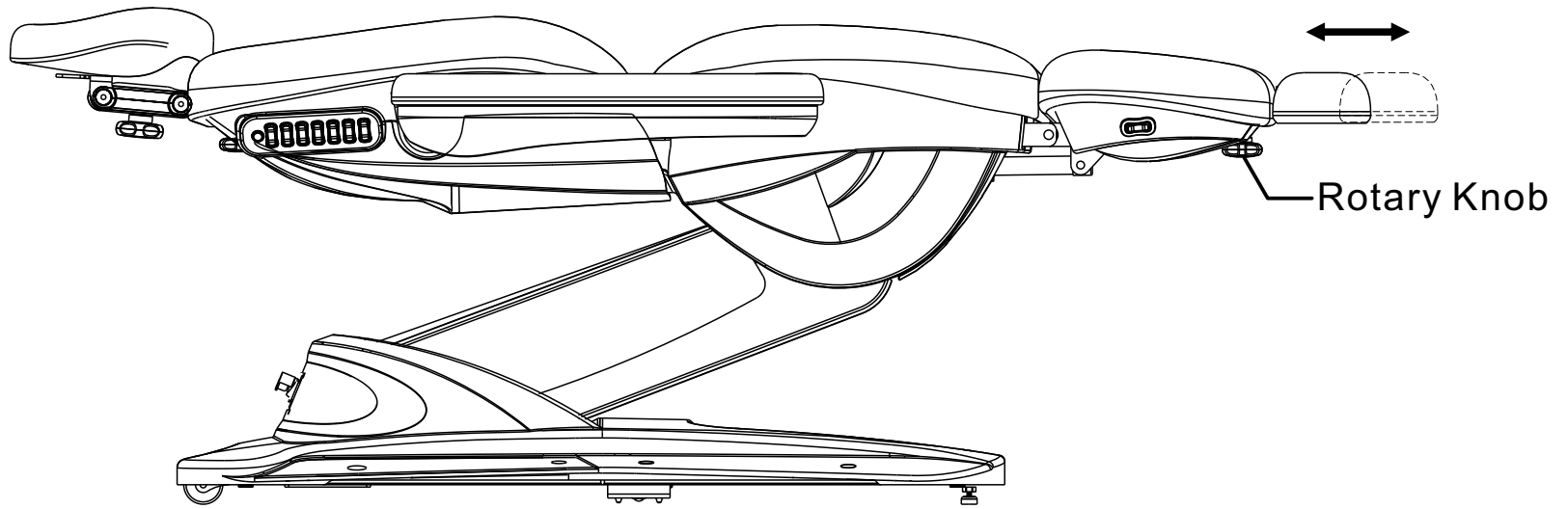
Press button  resets the bed platform to its initial position.



Headrest Adjustment

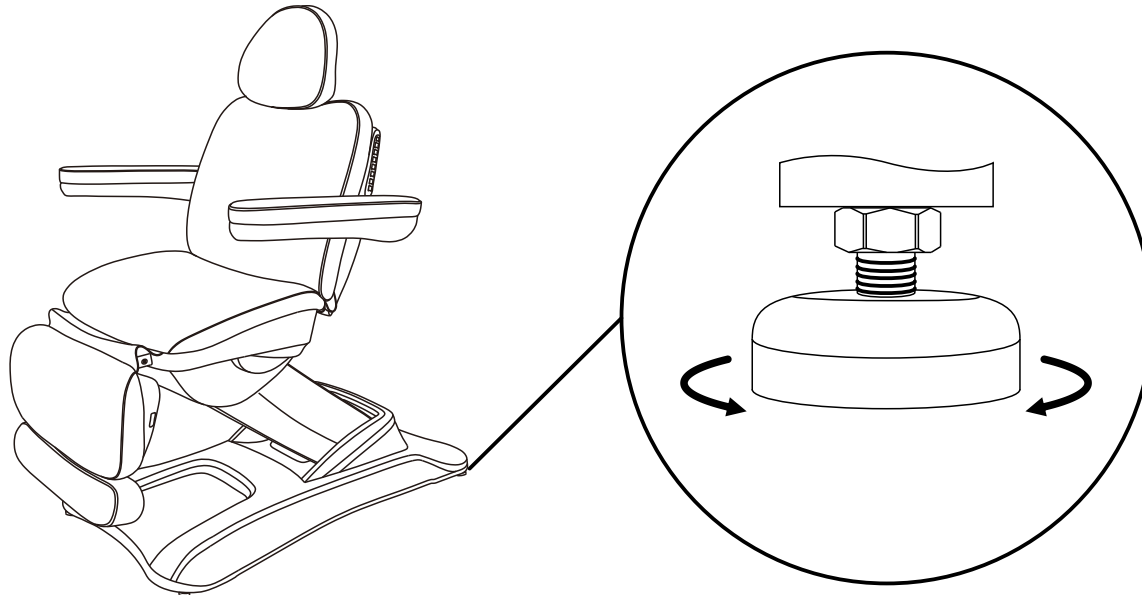


Leg Section Adjustment



Adjustable Foot Leveller

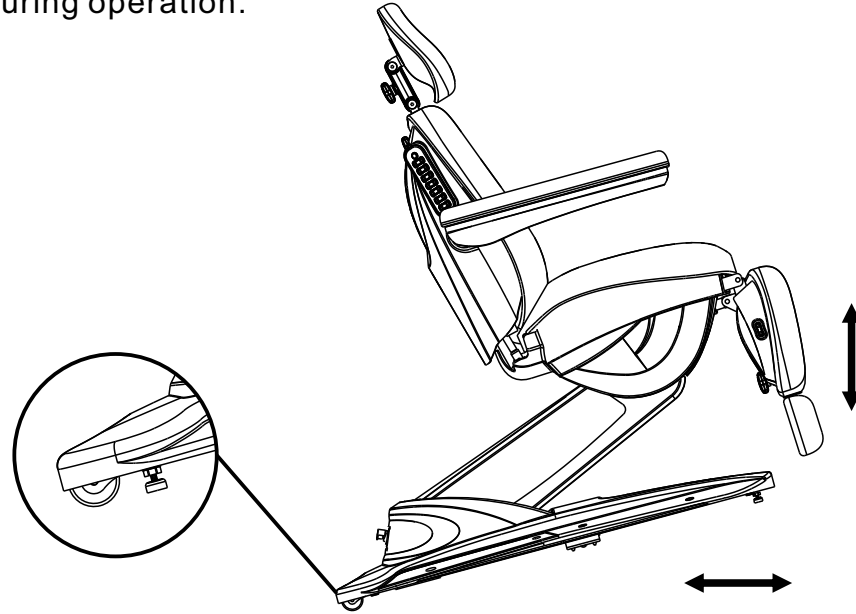
Conveniently adjust legs to stabilize the bed on uneven surfaces.



Movable Base

To reposition the bed platform, lift it until it clears the floor, then move it to the desired location.

Warning: Do not sit on the bed platform during operation.



The suggestive instructions:

1. This electric massage bed uses a three-wire power cable. Meanwhile it should be inserted into the three-hole outlet where there is a ground electrode. It should be assured that it be connected to the ground electrode smoothly so that it can prevent people from getting electric shock while functioning normally.
2. All the plugs, buttons and other components connected to the power cable must not dip in the water or other liquid.
3. It is forbidden to put your hands, feet, head or other part of the body into the gap while the massage chair is running when you press the control panel or the foot control panel.
4. It is prohibited to use when plug, buttons and other components connected to the power cable are broken.
5. It should be noticed that the frequency is 6min/h when the motor of this massage chair is used.
6. The maintenance should be performed by knowledgeable professionals.

Attentions

1. Someone with osteoporosis or heart problem should not use this product.
2. Women being pregnant or in menstruation should not use this product.
3. Someone injured or with disabilities should not use this product.
4. Children under 14 years old without any supervision and someone unconscious should not use this product.
5. Breakages of the power cable and plug should be eliminated before normally use. Breakages should be dealt with by professionals or service providers.
6. Power Input and Output should be based on recommended settings. Wrong voltage may lead to the breakdown of the product.
7. Wet hand is not allowed to touch power to avoid shock.
8. Do not plug unit into power prior to complete installation of the unit.
9. The power cable should be put away so that pedestrian will not trip and fall.
10. The appearance of the product should be cleaned by the use of the soft towel with diluted neutral detergent.
11. The unit should be turned OFF when not in use.
12. Do not disassemble the product without any prior communication with service professionals as it may void your Manufactureral Warranty.

Maintenances

1. Daily cleaning

You can wipe out the dust by using soft dry towel.

2. Eliminating the heavy dirt

As we all know, it is hard to eliminate the heavy dirt by using normal dry towel. In this case, you can use soft towel with diluted neutral detergent to clean it first. and then you can use dry towel to scrub.

3. It's prohibited to use benzene, diluent, gasoline or other solvent

These solvents may damage the leather or it may cause the corrosion of the products' appearance.

4. Storage and operating environment

Don't put the product under the strong sunlight and moist environment. Otherwise it may cause the damages of the product.

5. It is allowed to use this product under the temperature from -5 ° c to 50 ° c and the humidity from 45% to 85%.

Fault Diagnosis

If there is something wrong when you use the product, please try to check and eliminate the wrong operation as followings.

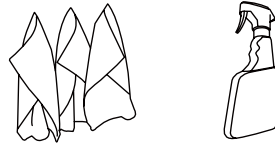
Phenomenon	Diagnosis	Operation of elimination
Press the button on the remote but without any responses.	1. The function of control button has reached to maximum. 2. To check if the power plug is connected. 3. To check if each connecting plug of the transformer is connected.	1. Try to press other control button. 2. Disconnect the power plug and connect it again. 3. Disclose the chassis. Discharge the plug and connect it again.
Letting out noises and shaking while going up and down	Screw loosen	Tighten all the screws
The light is still off although the switch is on.	The fuse has burned out.	Replace the fuse.

Remarks: It will be not informed if the improvements of the product do not influence appearance and function.

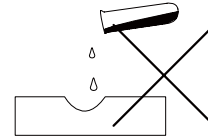
Product care



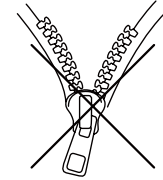
Brush away excess hair



Clean surface with damp cloth or use simple soap & water solution.



Avoid using corrosive cleaning agents such as bleaches.



Do not remove upholstery for cleaning

Warranty

The warranty period is one year. DIR warrants to you, the original buyer, that goods shall be free of defects in material and/or workmanship attributable to manufacture for one year from date of receipt of product. Damage resulting from improper handling after merchandise is received, or from exposure to weather or extreme atmospheric conditions is not covered by the warranty. For any other information please contact our support team:

DIR Birmingham

66 Rea Street South
Birmingham
B5 6LB

Email: sales@dirstore.co.uk
Phone: +44 (0) 121 6434777

DIR London

Unit 1 River Road Business Park,
33 River Road, Barking,
Greater London, 1G11 0DA

Email: london@dirstore.co.uk
Phone: +44 (0) 20 8591 9310

DIR New York

575 Underhill Blvd Suite #170
Syosset, NY 11791, USA

Email: sales@dirsalonfurniture.com
Phone: +1 (718) 628 6668
+1 (800) 728 2008
Fax: +1 (855) 628 5168