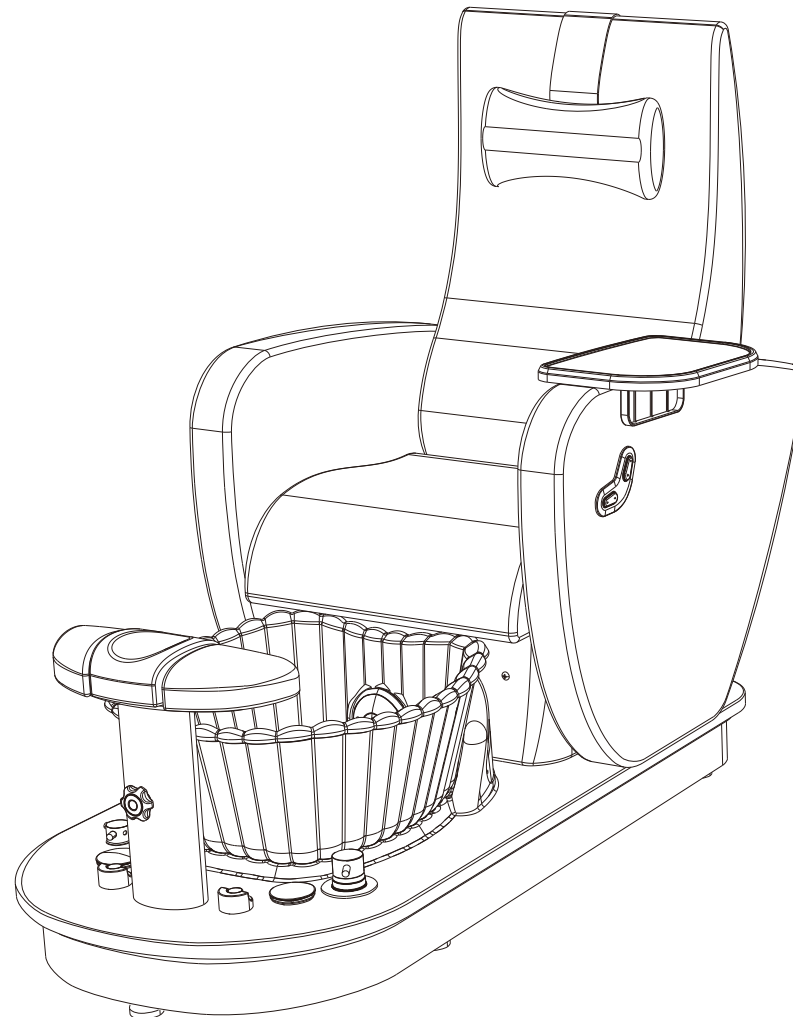


# DIR<sup>®</sup>

# Relaxion II

5017

INSTRUCTION MANUAL



## **Introduction:**

Thank you for purchasing the Relaxion II Pedicure Spa Chair. Manufactured with the finest materials and skilled craftsmanship, DIR brings to you a product that is pleasantly to work with and to own.

Please kindly take your time to review this manual before installation and refer to it to maintain this product for a longlasting use.

## **PLEASE READ AND FOLLOW INSTRUCTIONS CAREFULLY.**

DIR Salon Furniture recommends that you contact/hire your local, qualified electrician and plumber to install your Relaxion II Pedicure Spa Chair. It will not operate efficiently and/or safely unless it is provided with adequate electrical power, sufficient water pressure, proper water temperature and required drain needs. This manual provides information on the above requirements, kindly make sure to follow the proper steps and instructions.

## **PRECAUTIONS:**

1. Excessive water temperature is dangerous and should be checked prior to use. Maximum water temperature should not exceed 105 degrees Fahrenheit (41 degrees Celsius).
2. Always get on and off the Pedicure Spa Chair slowly and carefully.
3. Do not use or operate any electrical devices on or near the Pedicure Spa Chair.
4. Do not stand in the Spa tub.
5. Weight Capacity of Pedicure Spa Chair is 450 lbs.

## **WARNING:**

Do not use this product if you are diabetic, have poor blood circulation, or if any area of your feet or legs are inflamed or have open wounds. Consult with a physician before using if you have any kind of fungal infection, swelling, fracture or persistent pain.

## **IMPORTANT CONSIDERATIONS**

### **Electrical Service:**

110V, 60Hz, 15 Amp GFCI protected grounded circuit MUST be used to supply power to each individual Pedicure Spa Chair. Main circuit breaker MUST be at 25 Amps and for a maximum of two units per each electrical outlet.

### **Water Supply:**

All plumbing connections must comply with all local codes. Water supply to the Pedicure Spa Chair should be provided with adequate water pressure & water temperature.

\*Water Pressure: To fill the basin correctly up to level, a normal water pressure of 30 to 80 P.S.I is required.

\*Water Temperature: The HOT water supply temperature must not exceed 105 Degree Fahrenheit, adjust water temperature accordingly.

\*Pressure / Temperature: Maximum Pressure at 150 P.S.I. Minimum Pressure at 10 P.S.I. Minimum Recommended Flow at 1.5 GPM.

### **Drain Facilities:**

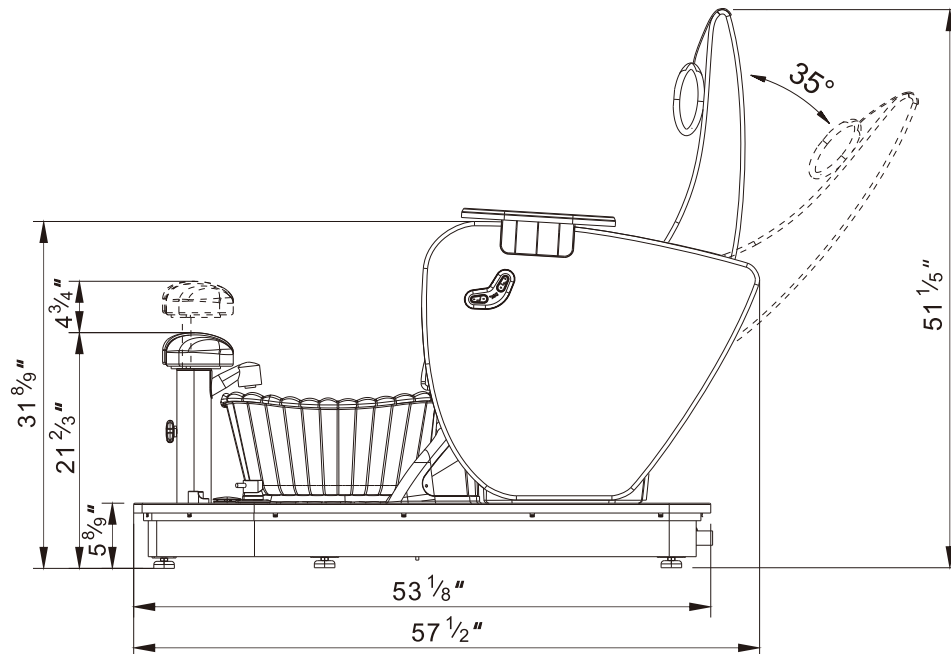
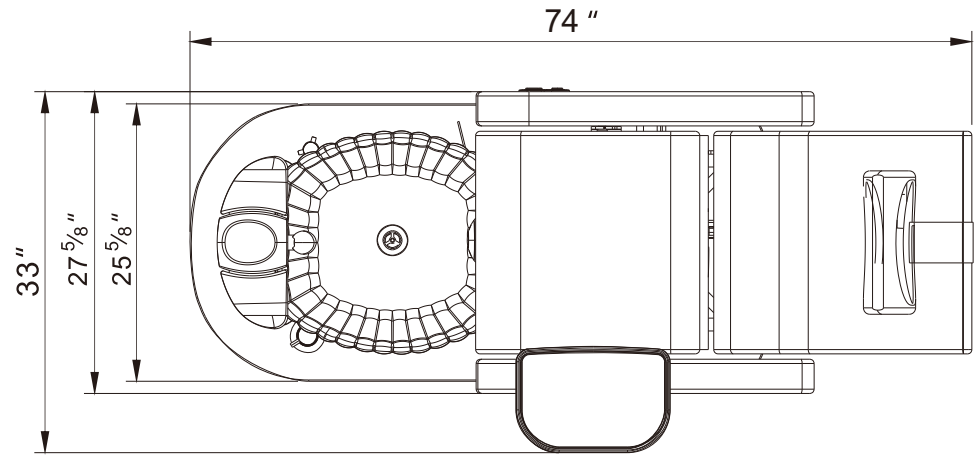
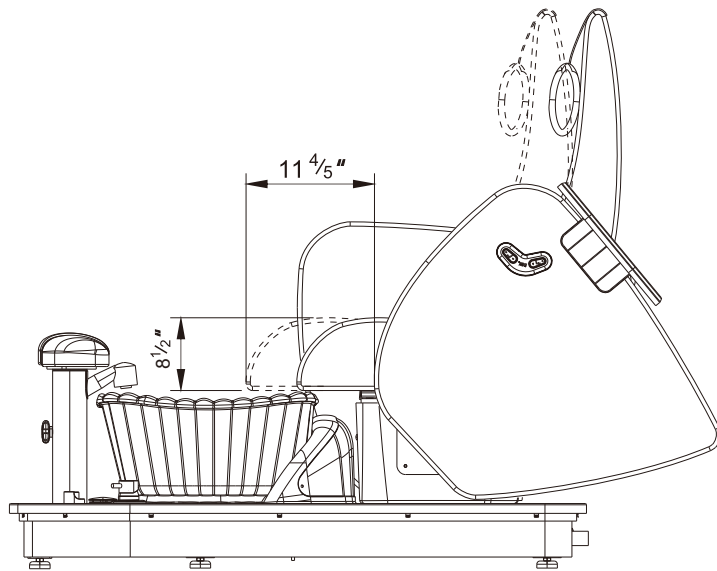
The Pedicure Spa Chair Drain must meet all local plumbing codes. Check Valve for Drain (not provided) must be installed by a licensed plumber.

## **Installation Summary**



The installation must comply with local, State and Federal building, Plumbing and Electrical codes where applicable. Licensed professionals should complete the installation of all Pedicure Spa Chairs.

NOTE: Failure to comply with Local, State and/or Federal codes and ordinances will void all Warranty on DIR Salon Furniture products.

# ● Technical Data:

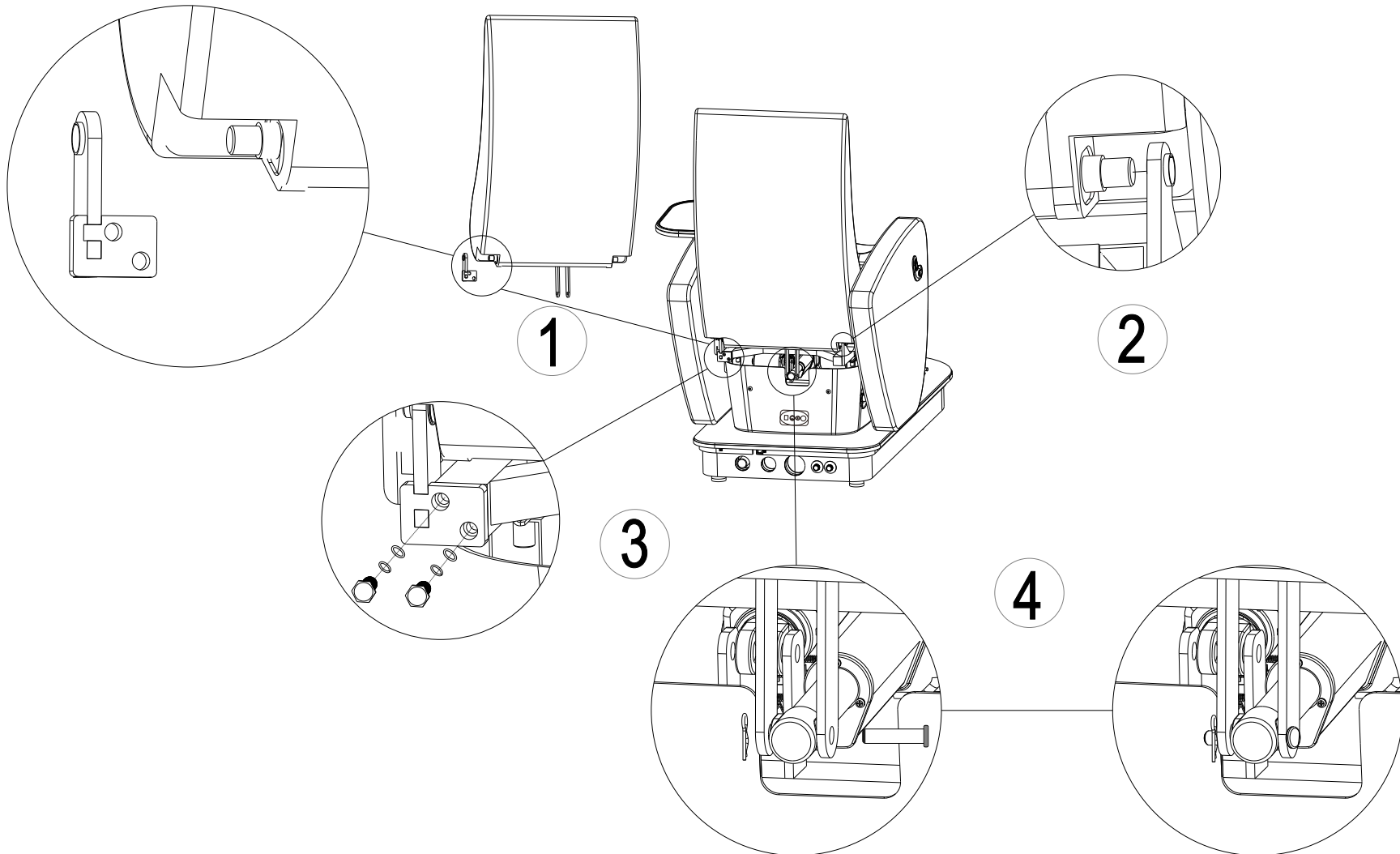


Weight Capacity	450lbs/200kg
Net Weight	260lbs/118kg
Leather	PU/PVC

Part	Image	Qty
Manicure Tray		1
Pillow Support		1

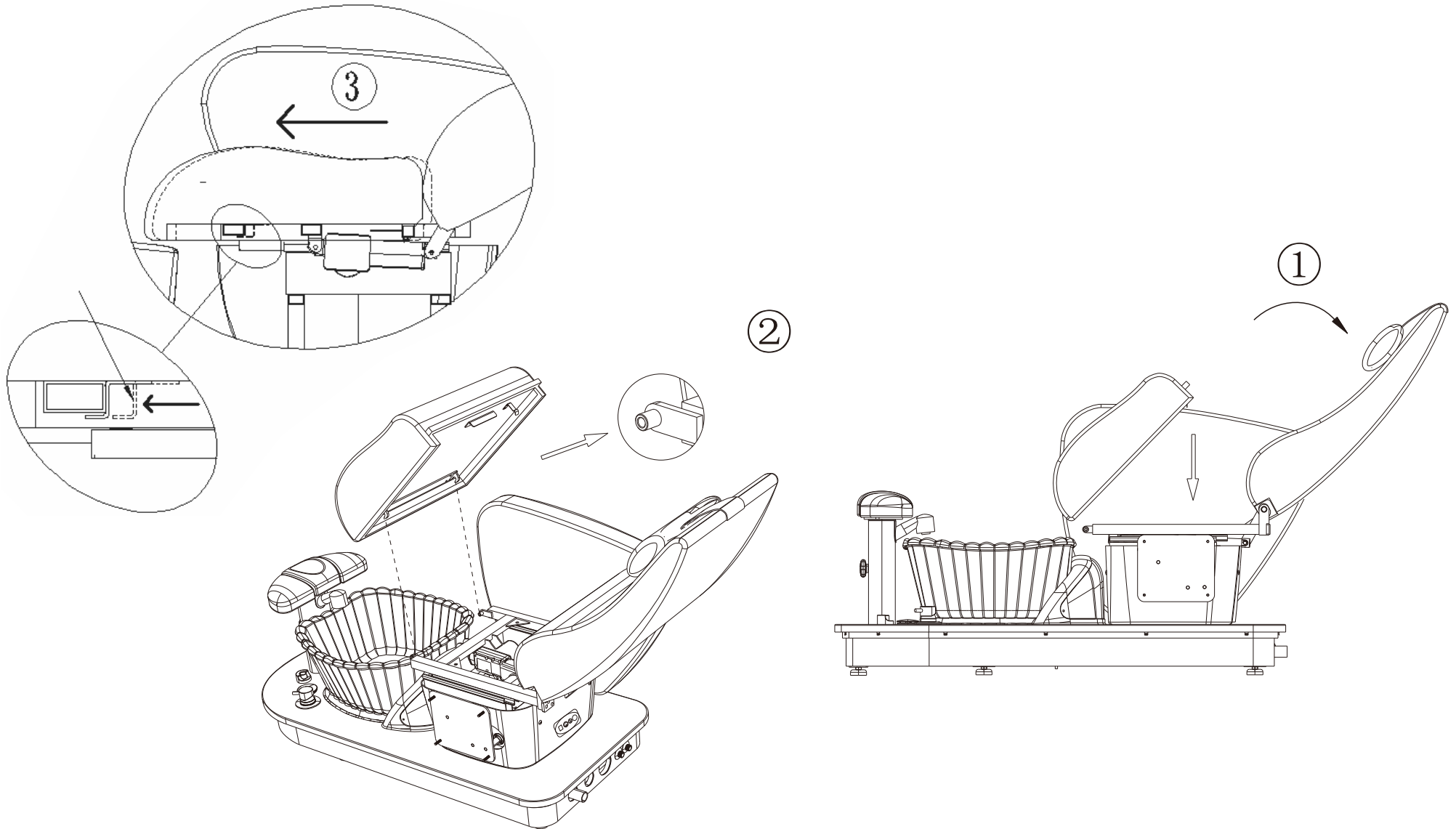
## Backrest Installation:

- A. Securely place Backrest onto mounting brackets as shown in illustration 1 & 2.
- B. Lock Backrest in position with provided Hex Screws & Washers as shown in 3.
- C. Connection of the Backrest with actuator: Align Backrest into position with actuator and lock in place with provided Clevis Pin & Cotter Pin.



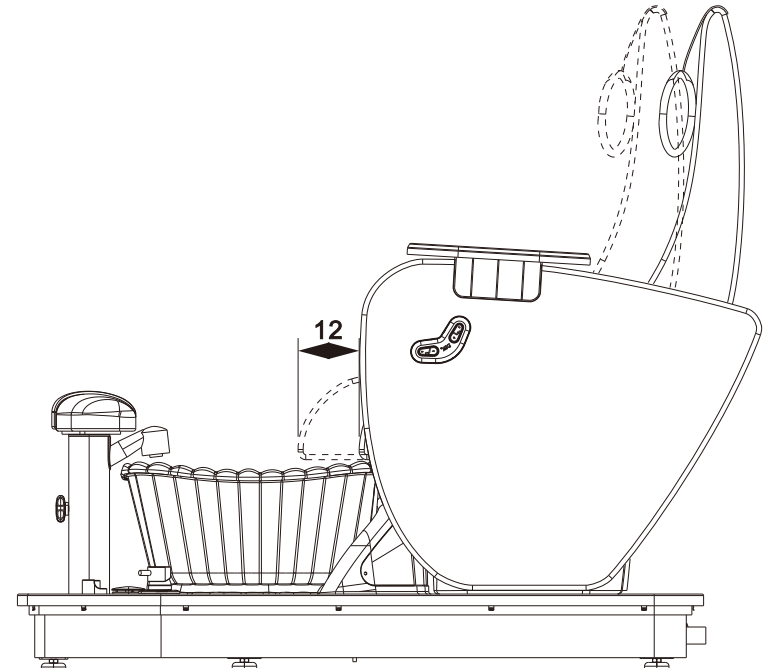
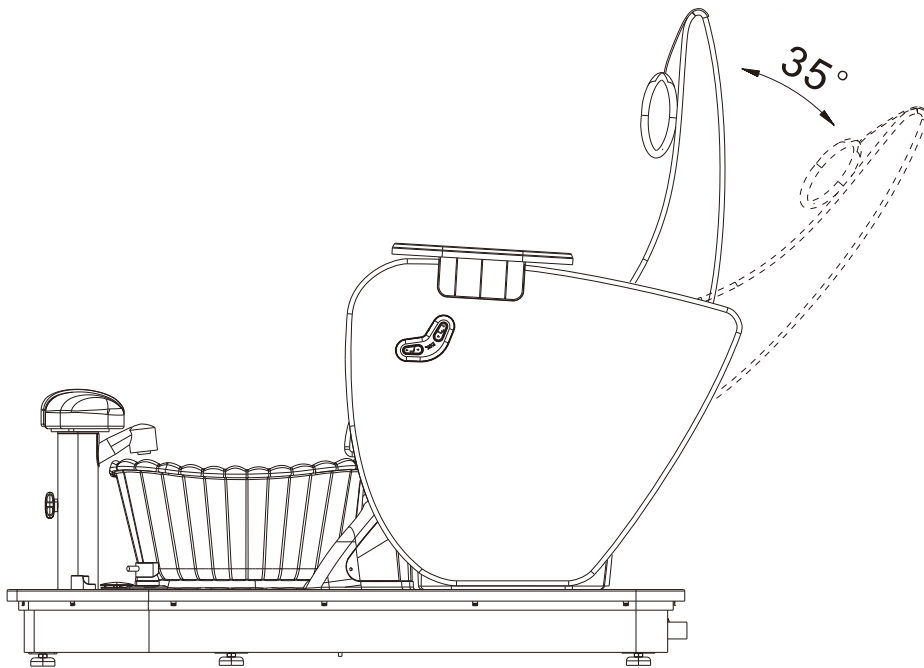
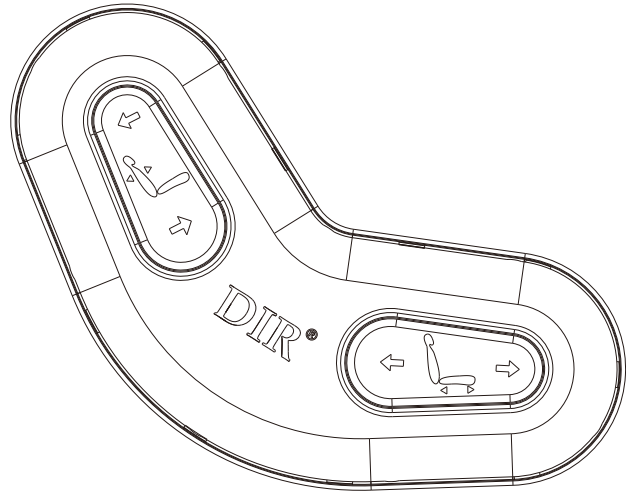
## Seat Installation:

- A. Recline backrest to max reclined position for easier installation.
- B. Secure Seat cushion onto metal structure as shown in illustration 2.
- C. Set Seat cushion and slide forward to lock into position.



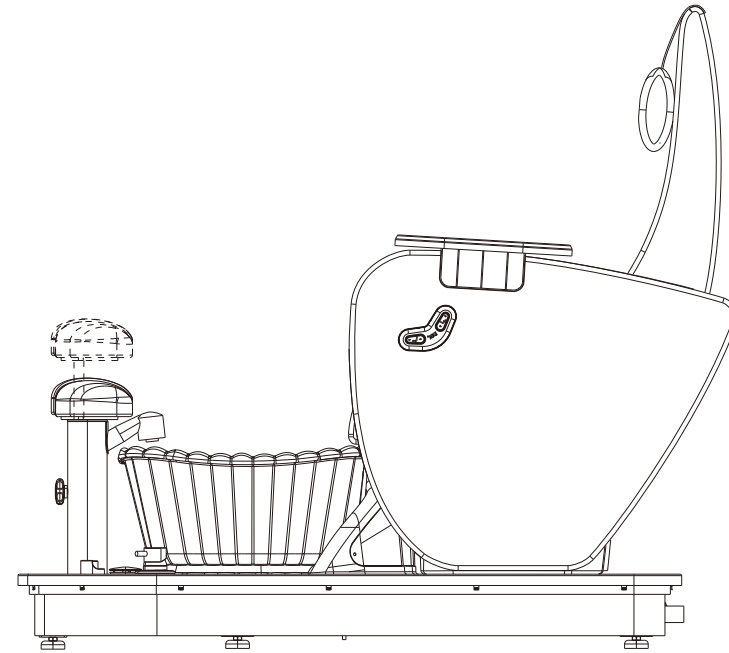
## Backrest and Seat Adjustments:

1. Press and Hold directional button to adjust Backrest to desired position.
2. Press and Hold directional button to adjust Seat to desired position.



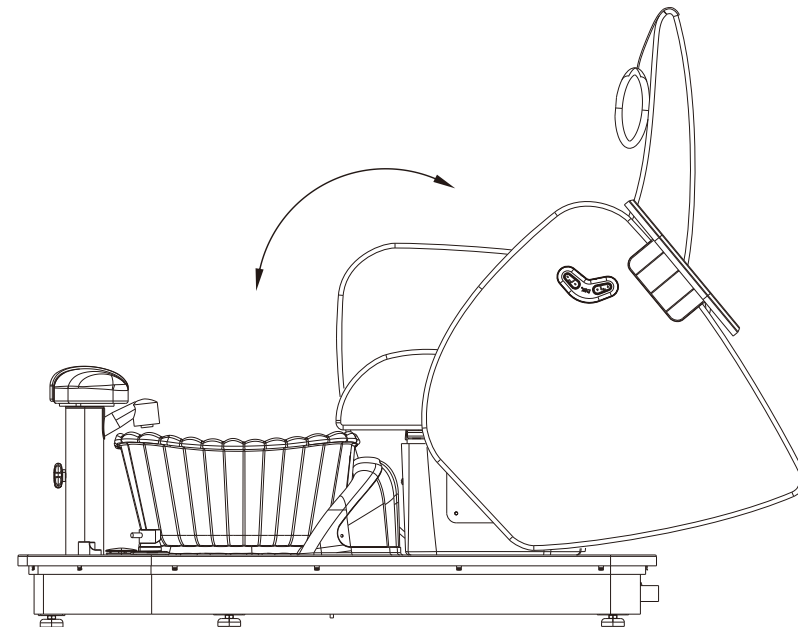
## Adjustable Footrest:

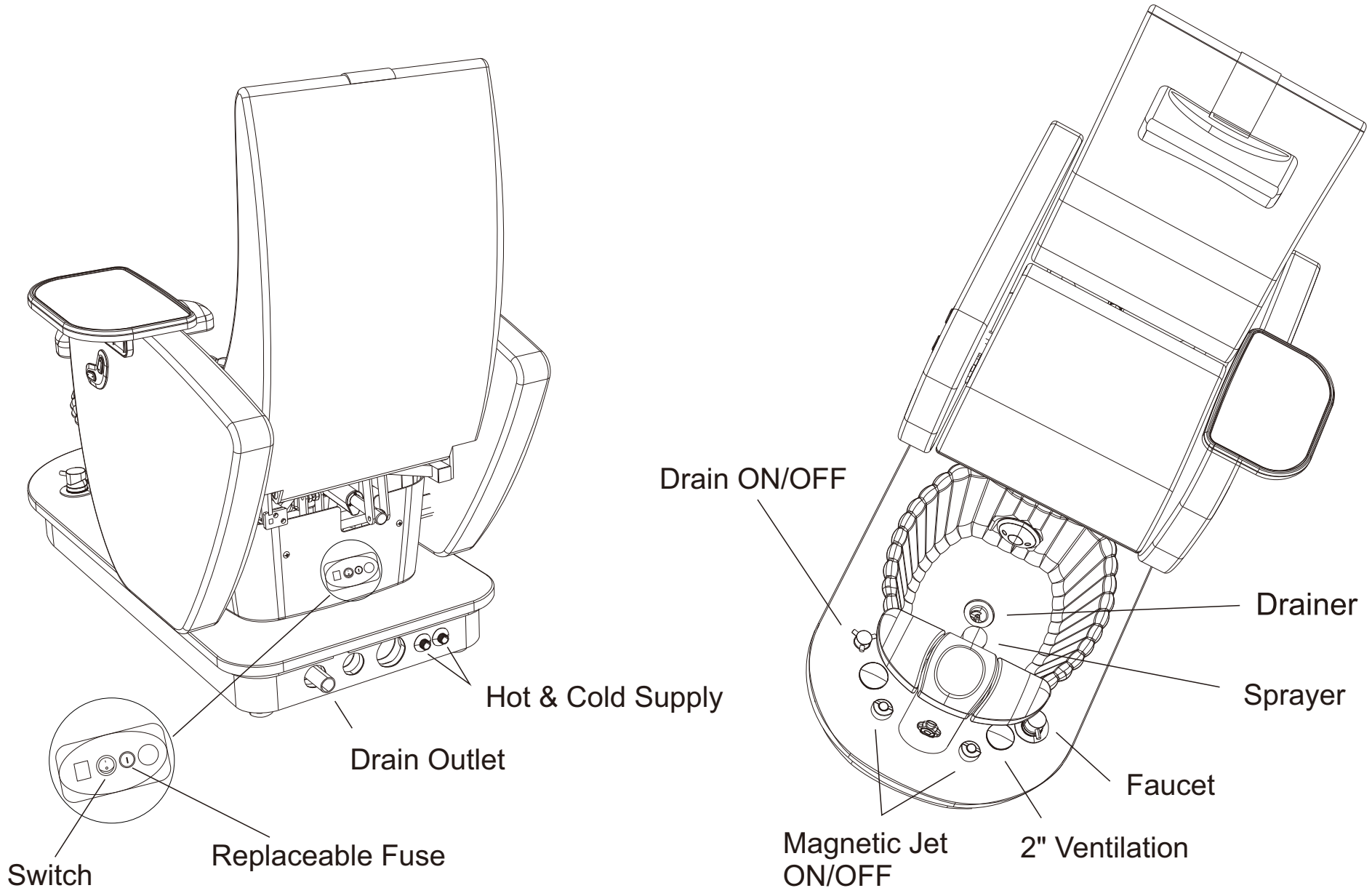
Loosen knob to adjust Footrest to desired height and secure by locking knob in position.



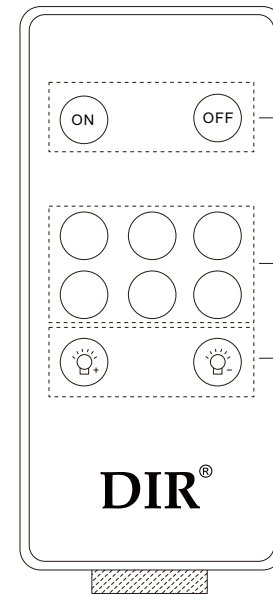
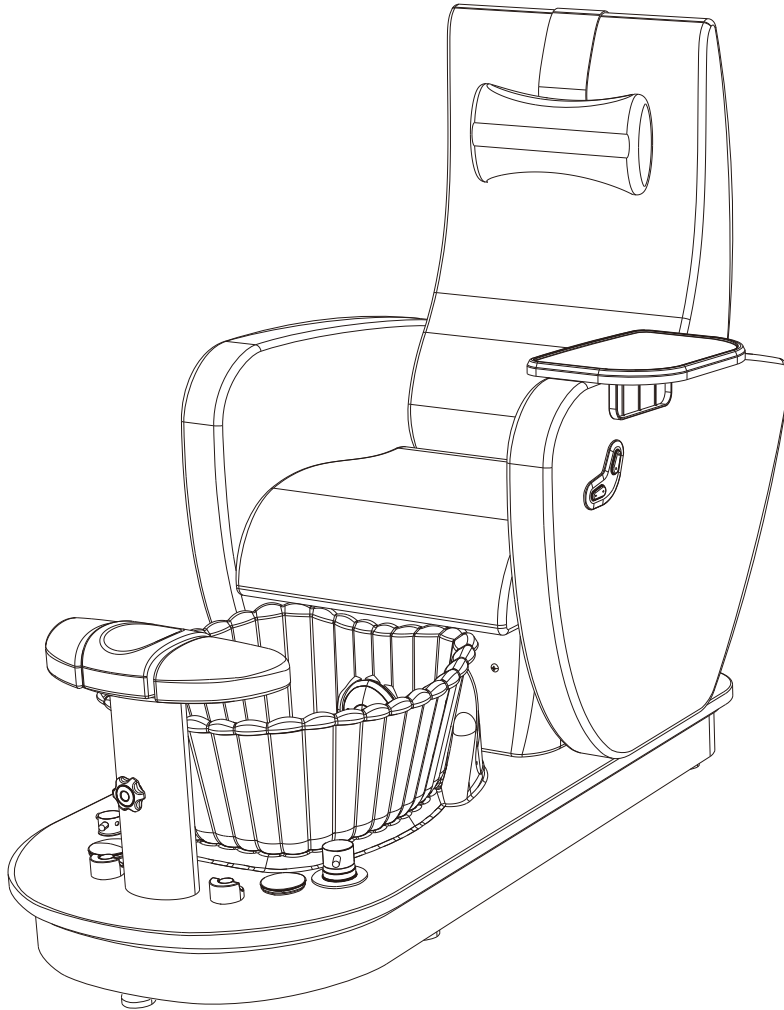
## Adjustable Arms:

Both arms can be adjusted and folded backwards for easier in & out access.





## ● Light Adjustment



Light Switch

Color Switch

Strength Adjustment

**DIR**<sup>®</sup>

Please remove the plastic tab before use

## Maintenance:

1. Daily Cleaning: Wipe down unit and brush away dirt or dust. Feel free to use water and simple soap solution to clean stubborn dirt.
2. It's prohibited to use Benzene, dilyent, gasoline or other solvents, these solvents may damage the leather covering and/or it may cause corrosion of the products covering.
3. Storage and Operating Environment: Do not store or use this product under extreme sunlight and/or moisture environment otherwise it may cause damages to the product.
4. At the end of each day, it is recommended to check and make sure all units are powered off.

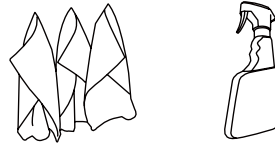
Phenomenon	Diagnosis	Solution
*Unresponsive button controls *Beeping sounds	<ol style="list-style-type: none"><li>1. Check and make sure power is connected to unit.</li><li>2. Make sure the adjustment is not at it's maximum position.</li><li>3. Check all connections from Acutator to main electrical box</li></ol>	<ol style="list-style-type: none"><li>1. Unplug and test power supply with other electronic devices.</li><li>2. Try opposite direction of movement.</li><li>3. Remove seat cushion and check all wiring and connections</li></ol>
Letting out noises and shaking while going up and down	Screw loosen	Tighten all the screws
The light is still off although the switch is on.	The fuse has burned out.	Replace the fuse.

Remarks: It will be not informed if the improvements of the product do not influence appearance and function.

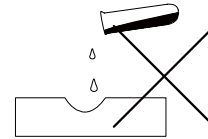
## Product care



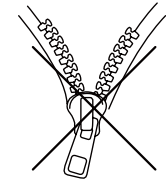
Brush away dirt or dust



Clean surface with damp cloth or use simple soap & water solution.



Avoid using corrosive cleaning agents such as bleaches.



Do not remove upholstery for cleaning

## Warranty

The warranty period is one year. DIR warrants to you, the original buyer, that goods shall be free of defects in material and/or workmanship attributable to manufacture for one year from date of receipt of product. Damage resulting from improper handling after merchandise is received, or from exposure to weather or extreme atmospheric conditions is not covered by the warranty. For any other information please contact our support team:

### DIR Birmingham

66 Rea Street South  
Birmingham  
B5 6LB

Email: [sales@dirstore.co.uk](mailto:sales@dirstore.co.uk)  
Phone: +44 (0) 121 6434777

### DIR London

Unit 1 River Road Business Park,  
33 River Road, Barking,  
Greater London, 1G11 0DA

Email: [london@dirstore.co.uk](mailto:london@dirstore.co.uk)  
Phone: +44 (0) 20 8591 9310

### DIR New York

575 Underhill Blvd Suite #170  
Syosset, NY 11791, USA

Email: [sales@dirsalonfurniture.com](mailto:sales@dirsalonfurniture.com)  
Phone: +1 (718) 628 6668  
+1 (800) 728 2008  
Fax: +1 (855) 628 5168