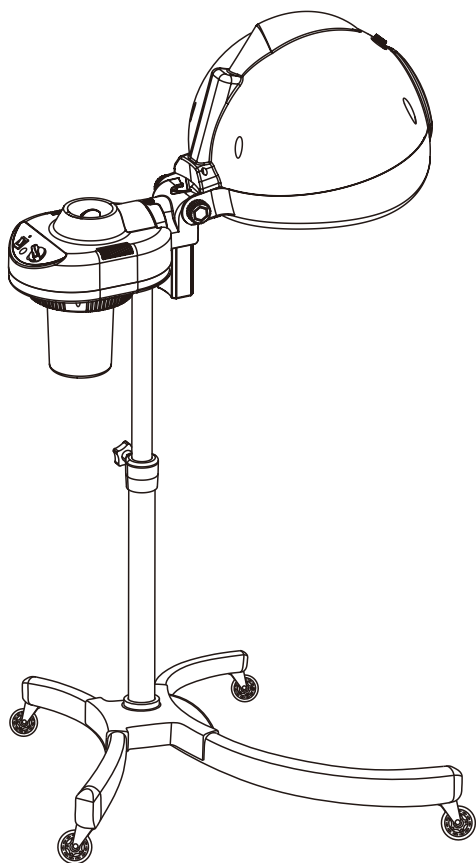
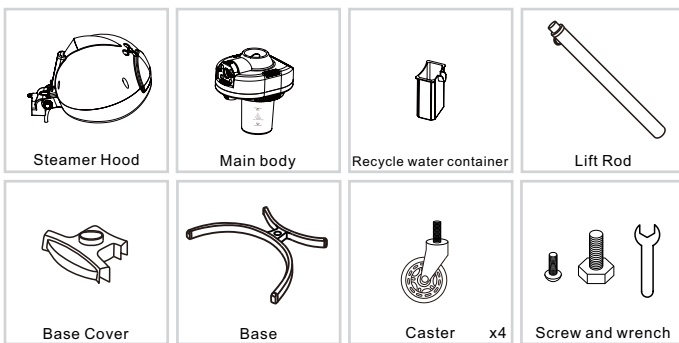


MD1050FS

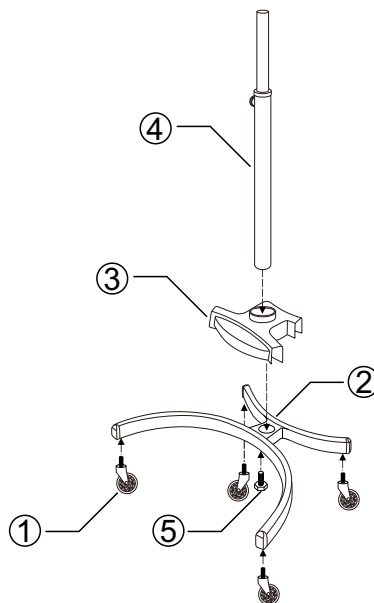
INSTRUCTION MANUAL



List of Parts & Tools

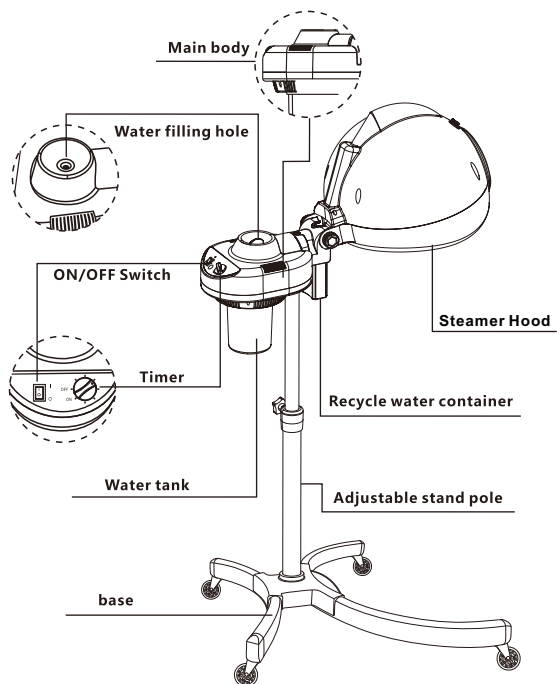


Assembly Instructions

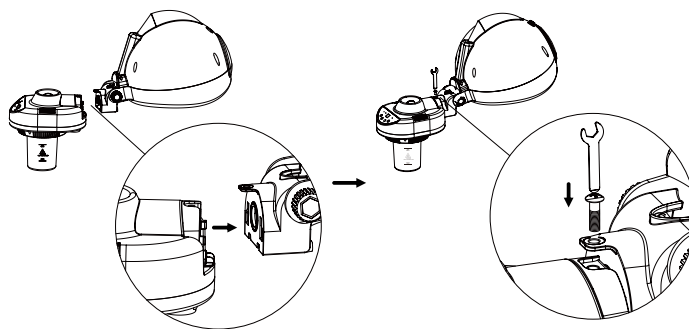


01

Name of product Component



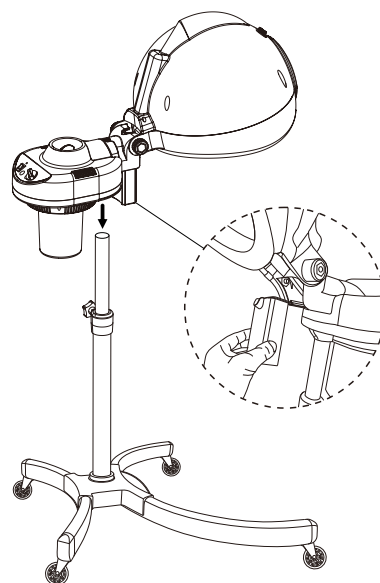
Assembly Instructions



Specification Parameters

| | | |
|-----------------|-------------|------|
| Rated Voltage | 120V | 230V |
| Electric Power | 650W | 650W |
| Rated Frequency | 50Hz / 60Hz | |

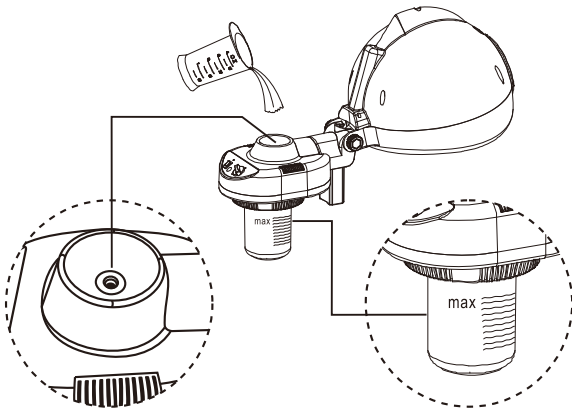
02



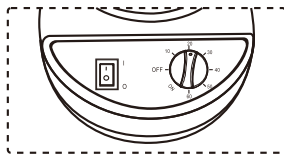
03

Operation Instruction

1. Fill water through the water filling hole, make sure the water level does not exceed the "max" line



2. Switch on the power by pressing the Power Button, and turn the Timer Knob for desired time. Steam will emit in approximately 5-8 minutes based on water volume.



Cautions:

For your safety, the unit will automatically shut off when the water level is low. To restart, turn off the power and refill the water, then turn the unit back on. It will resume normal operation once it reaches the proper temperature.

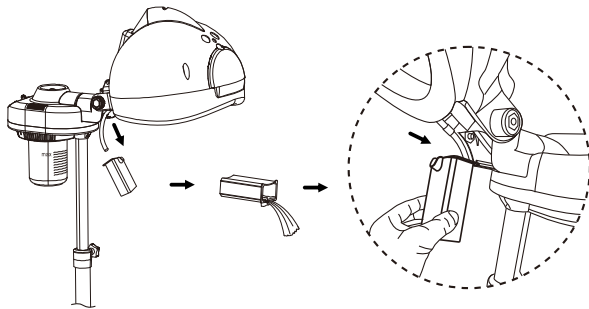
04

Warning

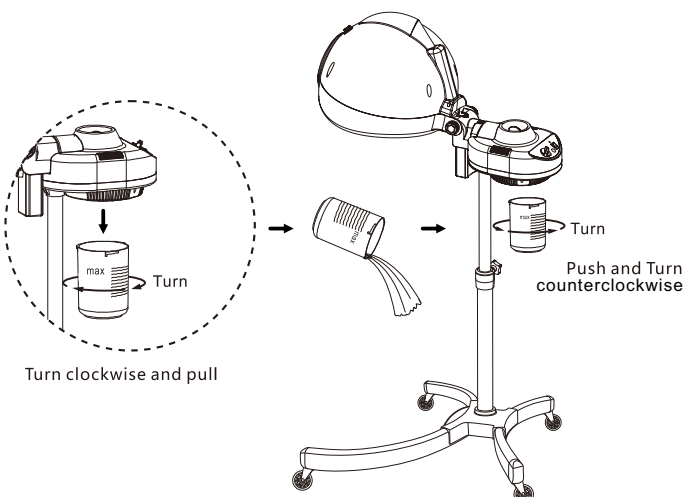
- This device is designed for use by professionals properly trained in its use.
- Use distilled water only. Do not add any chemical elements or essential oils into the water tank.
- If you have any pre-existing medical conditions, consult a doctor before use.
- Use this product for its intended use only.
- This product should never be operated by or in close proximity to children.
- An appliance should never be left unattended when plugged in.
- Unplug from electrical outlet when not in use.
- Do not operate this device if it has a damaged cord or plug, if it is not working properly, if it has been dropped or damaged, or dropped in water.
- Keep the power cord away from heated surfaces.
- Do not use an extension cord with this product.
- Always use in a clear and an obstructed area.
- Do not use outdoors. This product is designed for indoor use only.
- Always use the device on a level surface. Applying weight to the base, such as sandbags, will help secure the device.
- Do not tilt device while in operation.
- Do not touch any part of the device that is hot.
- Do not cover the product with any type of material while it is in operation. Excessive heating can occur and cause fire, electrical shock, or other injuries to persons.
- Do not place device where it can fall or be pulled into a tub or sink. Do not place in or drop into water or other liquid, and always store in a dry place.
- Do not reach for any appliance that has fallen into water. Unplug it immediately.
- Never touch the product or its cord with wet hands.
- Never attempt to disassemble or repair the product yourself.

05

3. After using for a while, the recycle water container will be filled, remove it and pour out the water, then return it to its place.



4. If not in use for an extended period, drain the water tank.



06

WARRANTY CARD

Owner Warranty certificate

(Users save, show it to the maintenance point of repair)

Product name:

Model:

Place of origin:

Warranty period:

Invoice number:

Date of purchase:

Maintenance records

Repair date: Date of inspection:

Failure, maintenance, handling of:

Maintenance units:

Repairer's signature:

07