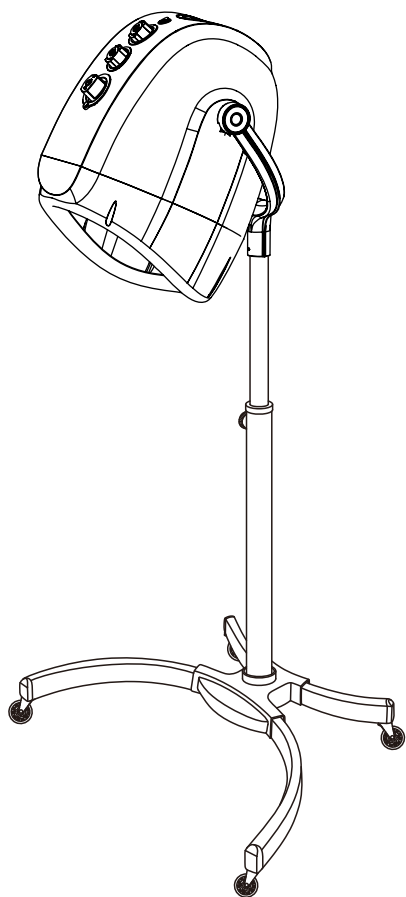


MD1006FS

INSTRUCTION MANUAL



List of Parts & Tools



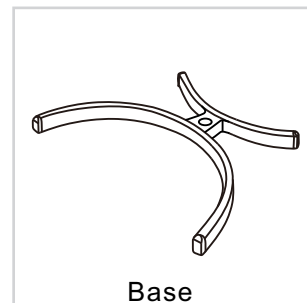
Dryer Hood



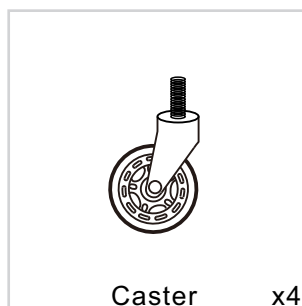
Lift Rod



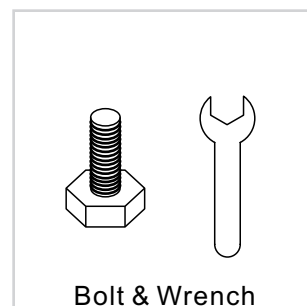
Base Cover



Base



Caster x4



Bolt & Wrench

01

IMPORTANT SAFETY INSTRUCTIONS

When using electrical appliances, especially when children are present, basic safety precautions should always be followed, including the following:

- READ ALL INSTRUCTIONS BEFORE USING.
- KEEP AWAY FROM WATER.

DANGER : As with most electrical appliances, electric parts are electrically live even when the switch is off.

To reduce the risk of death by electrical shock:

- Always "unplug" after using.
- Do not use while bathing.
- Do not place or store appliance where it can fall or be pulled into a tub or sink.
- Do not place in or drop into water or other liquid.
- If an appliance falls into water, "unplug" immediately. Do not reach into the water.

WARNING:

To reduce the risk of burns, electrocution, fire, or injury to persons:

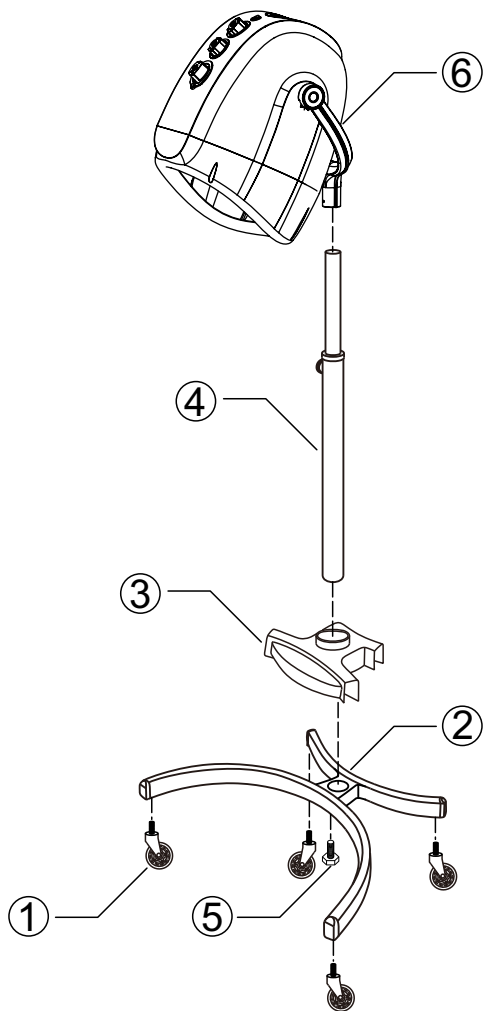
- An appliance should never be left unattended when plugged in.
- Close supervision is necessary when this appliance is used by, on, or near children or individuals with certain disabilities.
- Use this appliance only for its intended use as described in this manual. Do not use attachments not recommended by the manufacturer.
- Never operate this appliance if it has a damaged cord or plug, if it is not working properly, if it has been dropped or damaged in any manner or dropped into water. Return the appliance to us for repair or replacement.
- Keep the cord away from hot or heated surfaces. Do not wrap the cord around the appliance.
- Never block the air openings of the appliance or place it on a soft surface, such as a bed or couch, where the air openings may be blocked. Keep the air openings free of lint, hair, and the like.
- Never use while sleeping.
- Never drop or insert any object into any opening or hose.
- Do not use outdoors or operate where aerosol (spray) products are being used or where oxygen is being administered.
- Do not use an extension cord with this appliance.
- Do not direct hot air toward eyes or other heat-sensitive areas.
- Attachments will be hot during use. Allow them to cool before handling.
- Do not place appliance on any surface while it is operating or while switch is turned on.
- While using the appliance, keep your hair out of it. Keep your hair away from the air inlets.
- Do not operate with a voltage converter.
- Do not release lock knob without machine head on post

SAVE THESE INSTRUCTIONS

Specification Parameters

Rated Voltage	120V	230V
Electric Power	1000W	1000W
Rated Frequency	50Hz / 60Hz	

Install in numerical order.



HOW TO USE YOUR ROLL ABOUT DRYER

1. Find a comfortable location for using the dryer. For your convenience, the base has wheels with to move around and set in place.
2. Connect to power and the power indicator will light up in RED
3. Turn the timer knob to set desired working time(from 10 to 60 minutes) and the winds wis start to blow.
4. Turn the Temperature Adjustment Knob to set desired temperature.
5. Turn the Speed Adjustment Knob to set desired speed of wind(L-Low,800rpm.H=High,1200rpm.)
6. Press the ION Button to Position I, the ION generator starts to work and the ION button will light up in BLUE.(I=ION ON, O=ION OFF)
7. Adjust the height to desired position by loosening and fastening the Height Adjustment Knob
8. The hood spins freely on the support. Adjust angle of the hood until user feels comfortable in it.
9. The connection tube can be used as a cord organizer.
- 10.To turn off the unit, turn the timer knob anti-clock wise to OFF position.

USER MAINTENANCE INSTRUCTIONS

MAINTENANCE

This appliance requires no special user maintenance or lubrication. Should your dryer require cleaning, unplug it first then simply wipe the outer housing with a damp cloth.

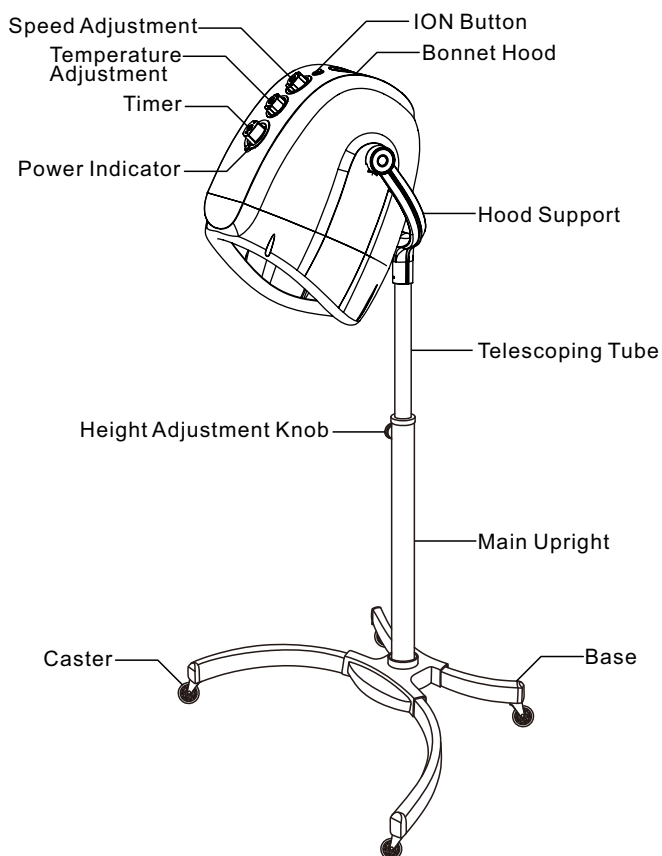
Each time you use the appliance untwist the cord to avoid tangling and internal damage.

STORAGE

Store in a clean, dry place, out of reach of children. Never store it while still hot or plugged into an outlet.

Never wrap the cord tightly around the unit. Do not pull the appliance by the power cord and avoid jerking or straining especially at the point where it enters the unit and at the plug connection.

Functional Description



ONE-Year Limited Warranty

This product carries a warranty that it will be free from defects in material and workmanship for a period of one year from the date of purchase,

IMPORTANT: This warranty does not cover damages resulting from accident, misuse or abuse. lack of reasonable care, the affixing of any attachments not provided with the product, loss of parts, or subjecting the appliance to any but the specified voltage.

(Read directions carefully)

If the product should become defective within the warranty period, return the product with original sales receipt to the retailer where you purchased the unit. A replacement may be offered at the discretion of the retailer.