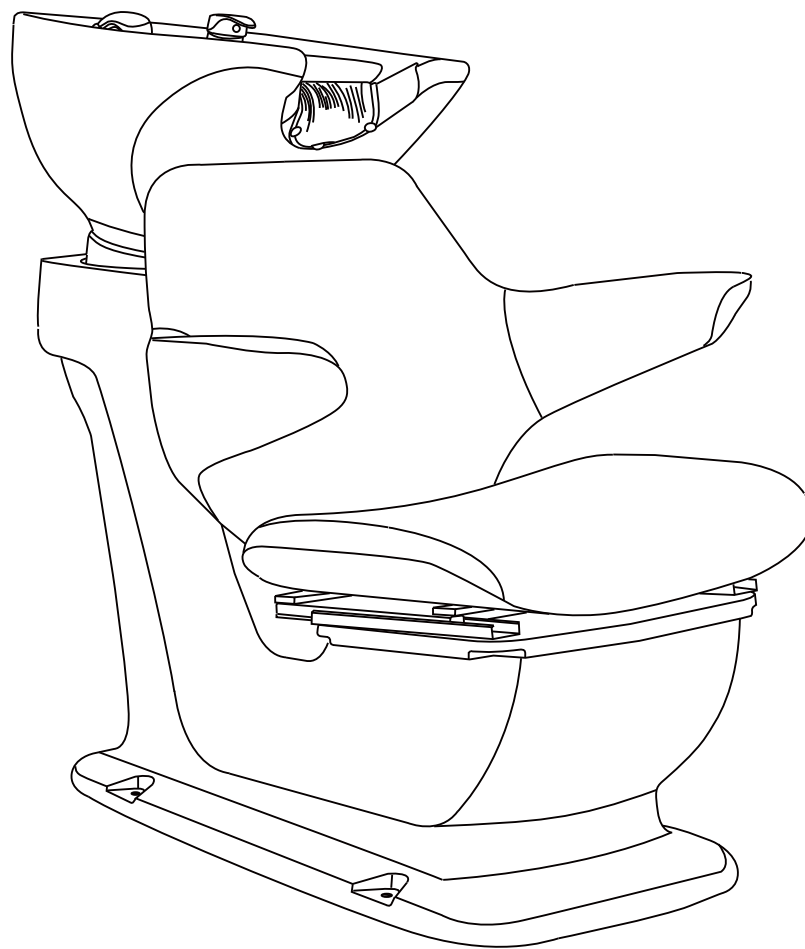


DIR[®]

Zenith

7166

INSTRUCTION MANUAL



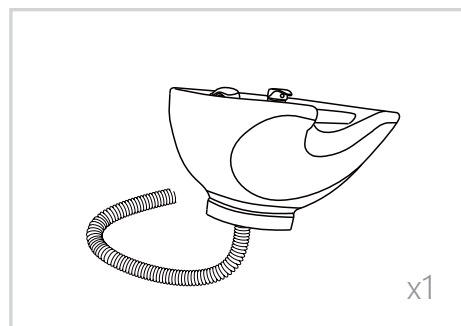
EN

List of Parts & Tools



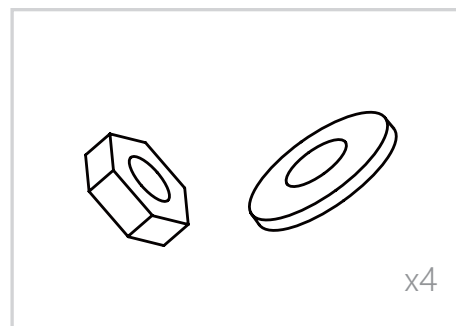
x1

101001



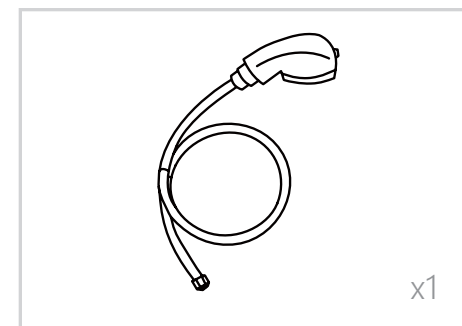
x1

0350/0388



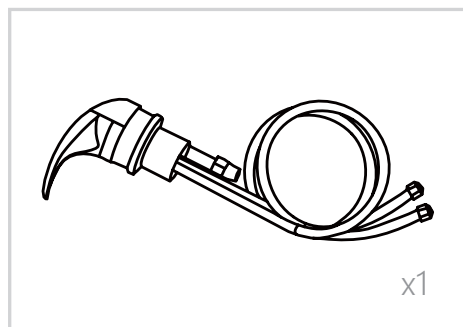
x4

101003



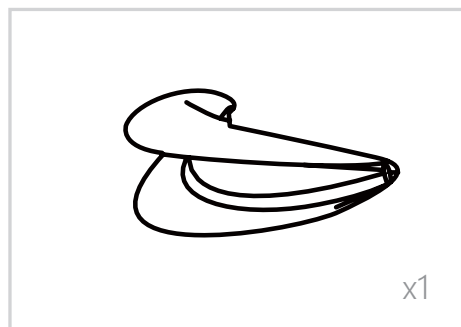
x1

101004



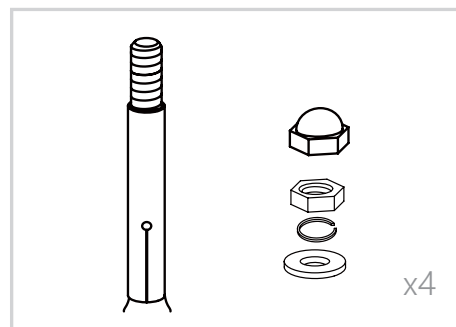
x1

101005



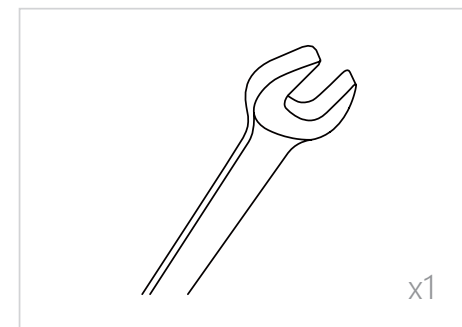
x1

101006



x4

101007



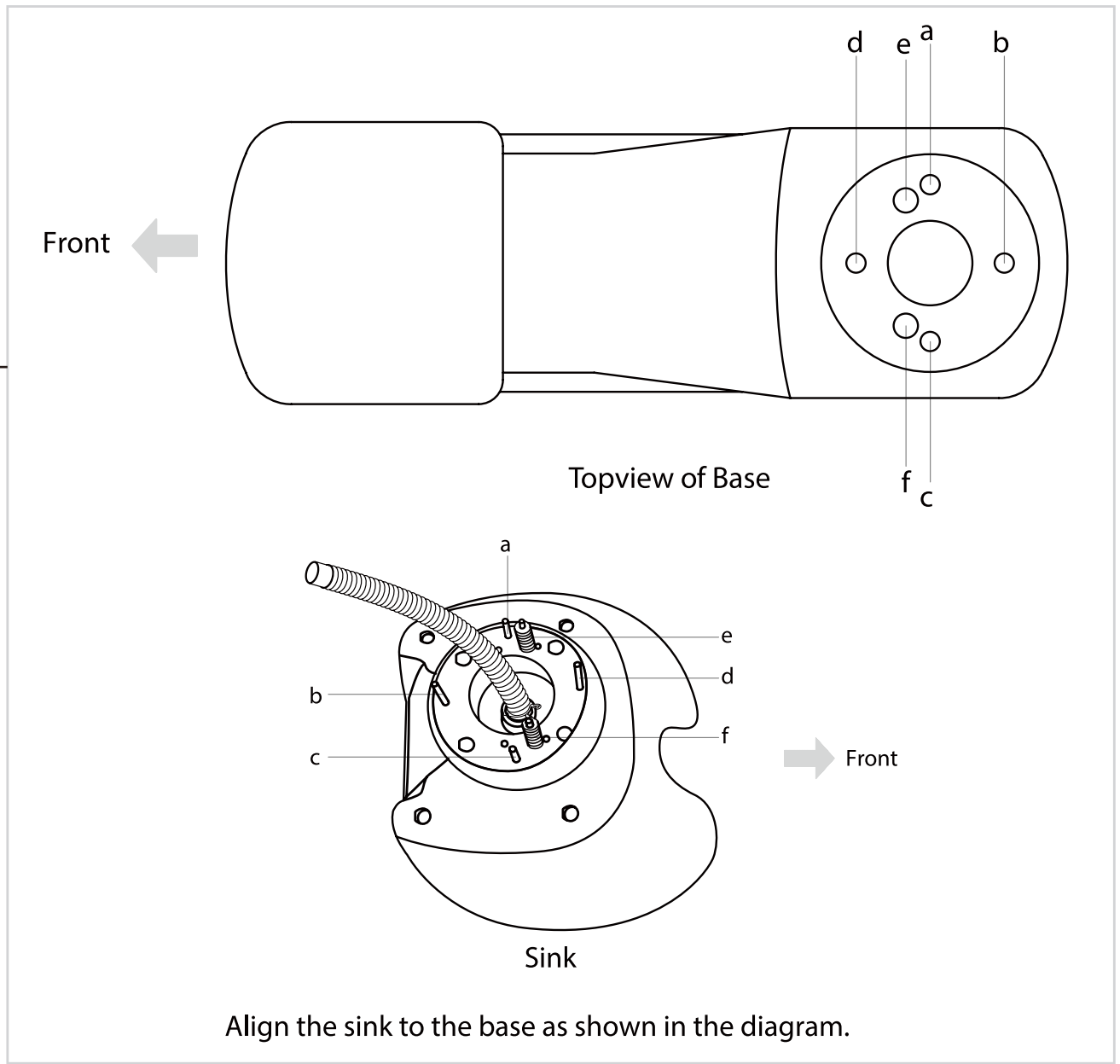
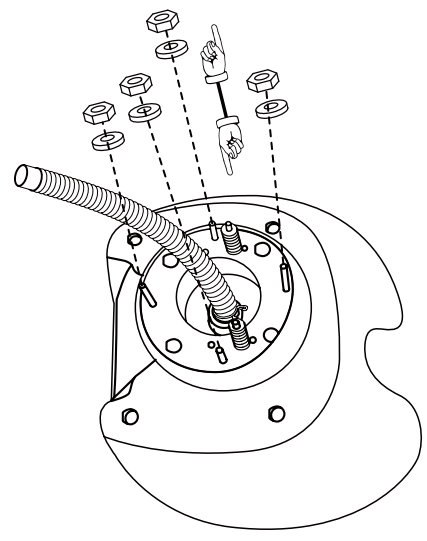
x1

101008

Type	USA size	UK size
Water supply lines Adapter	$\frac{5}{8}$ "	1.6cm
Drain Hose Connector	$1 \frac{1}{4}$ "	3.2cm

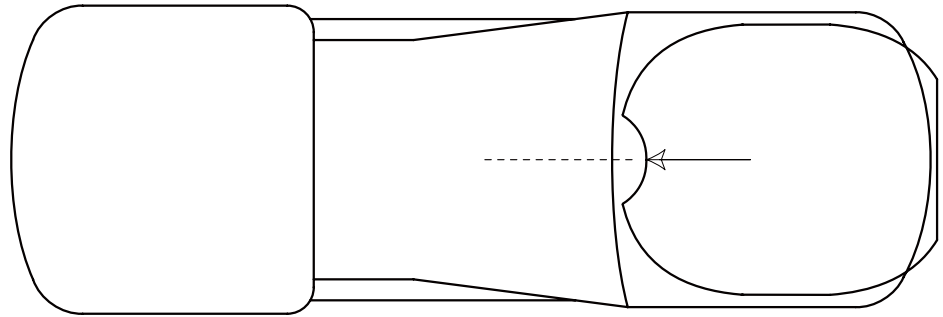
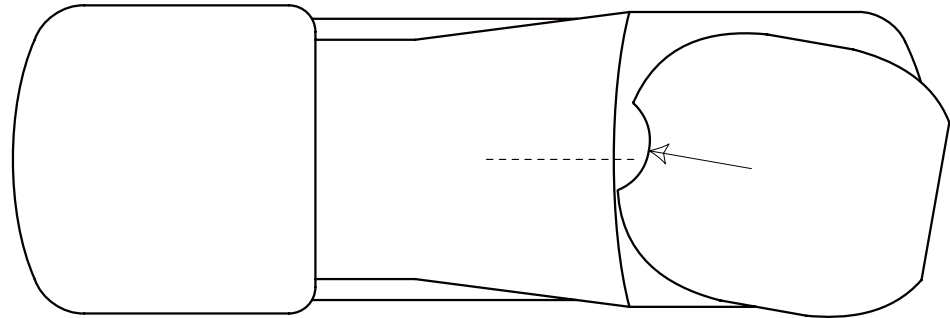
Step 1

0350

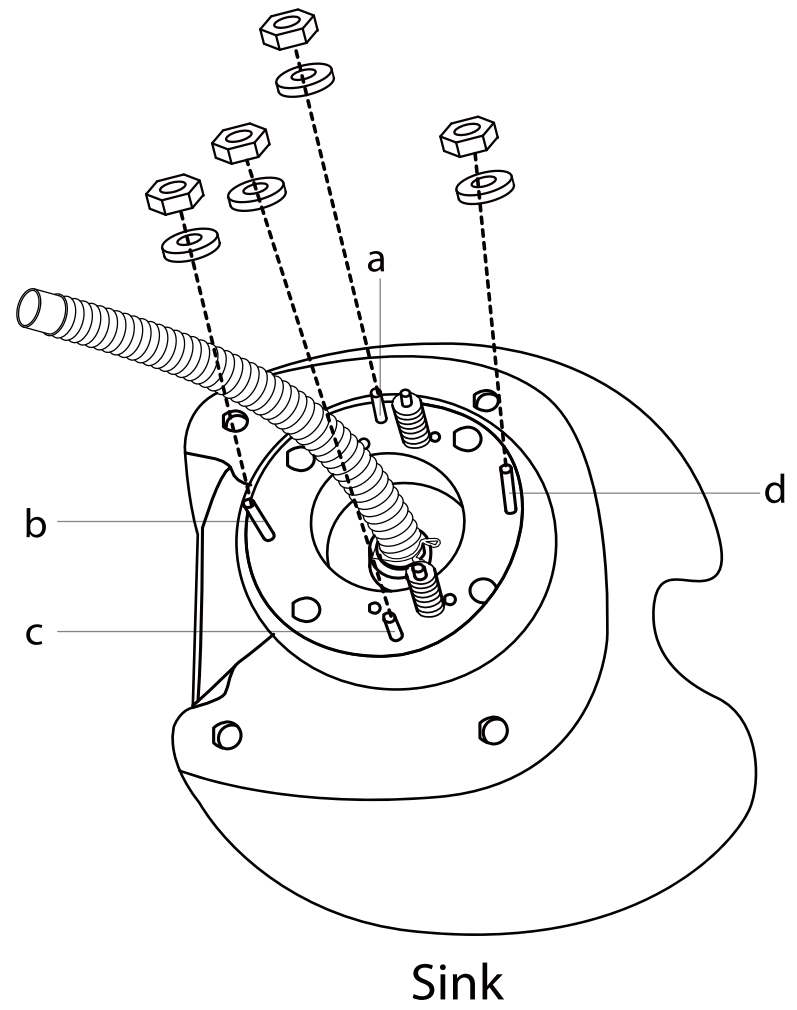
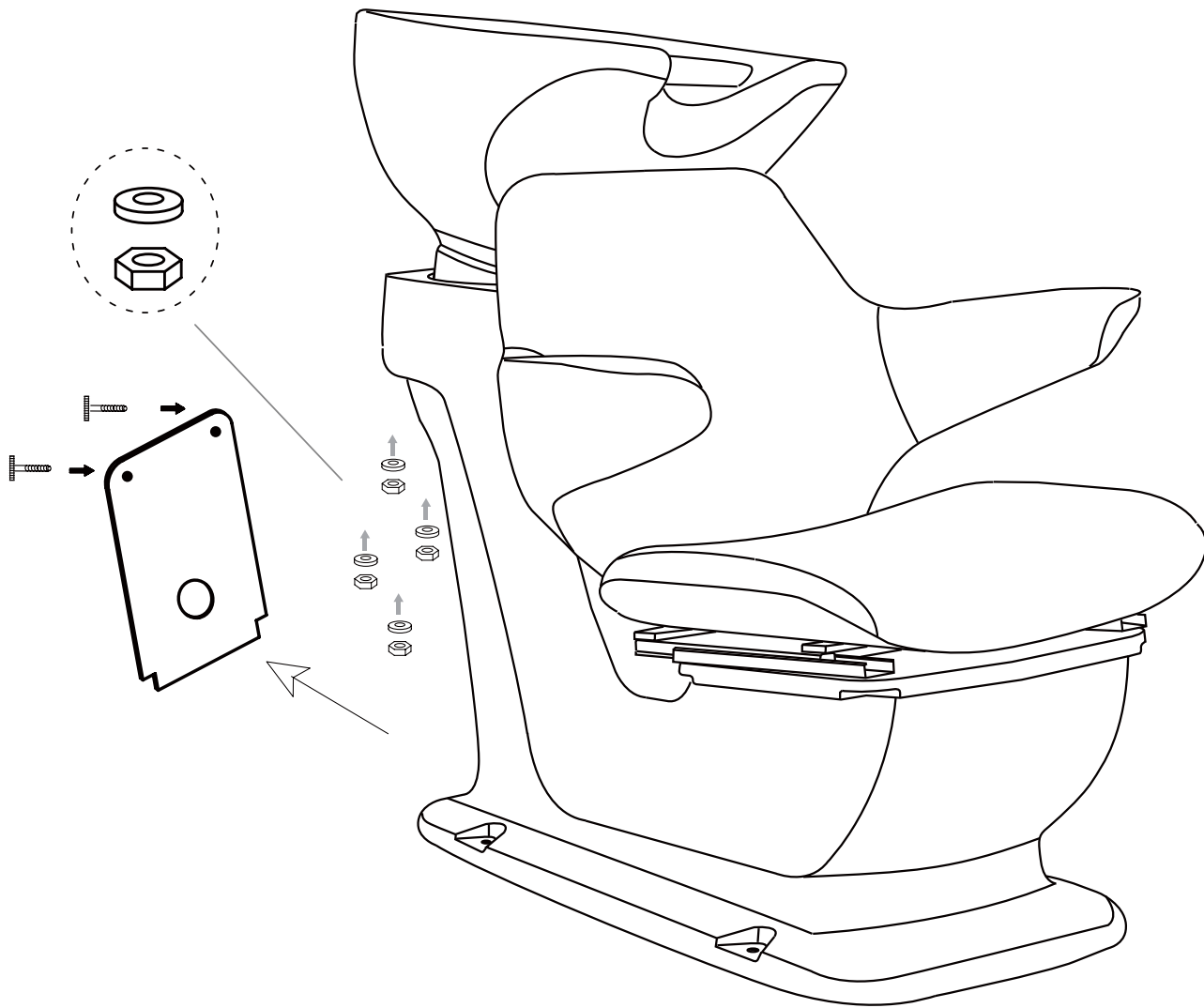


Align the sink to the base as shown in the diagram.

0350



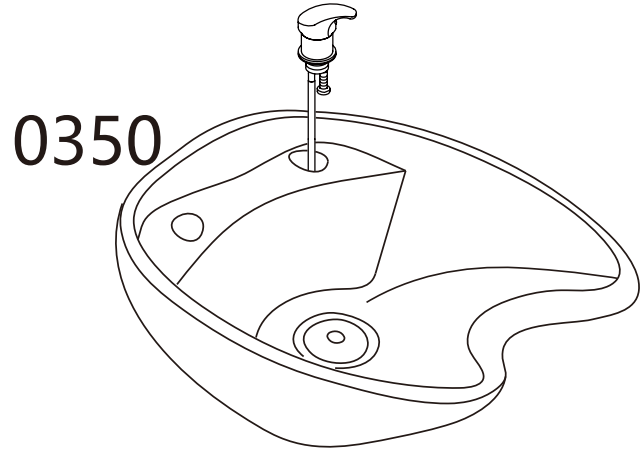
Step 3



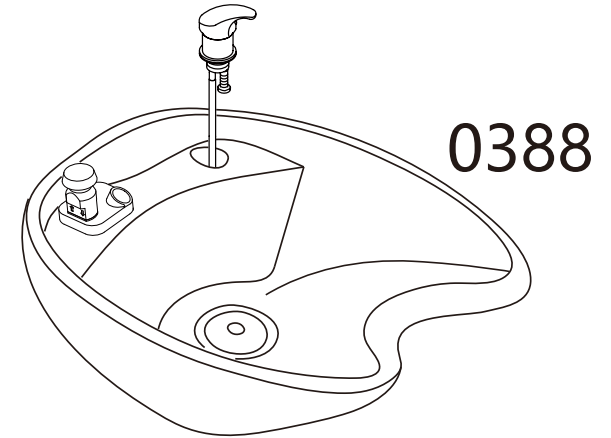
Undo the access panel by twisting clockwise then using the 4* 14mm washers & gaskets provided fasten the sink to the base.

Faucet Set up

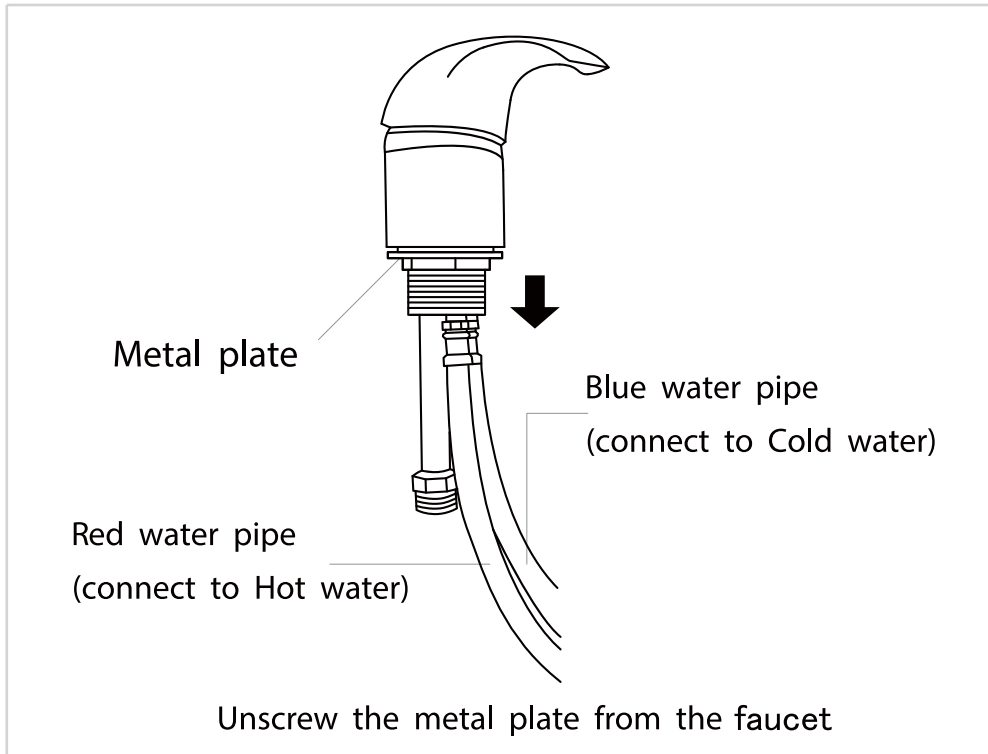
None Vacuum Breaker Sink



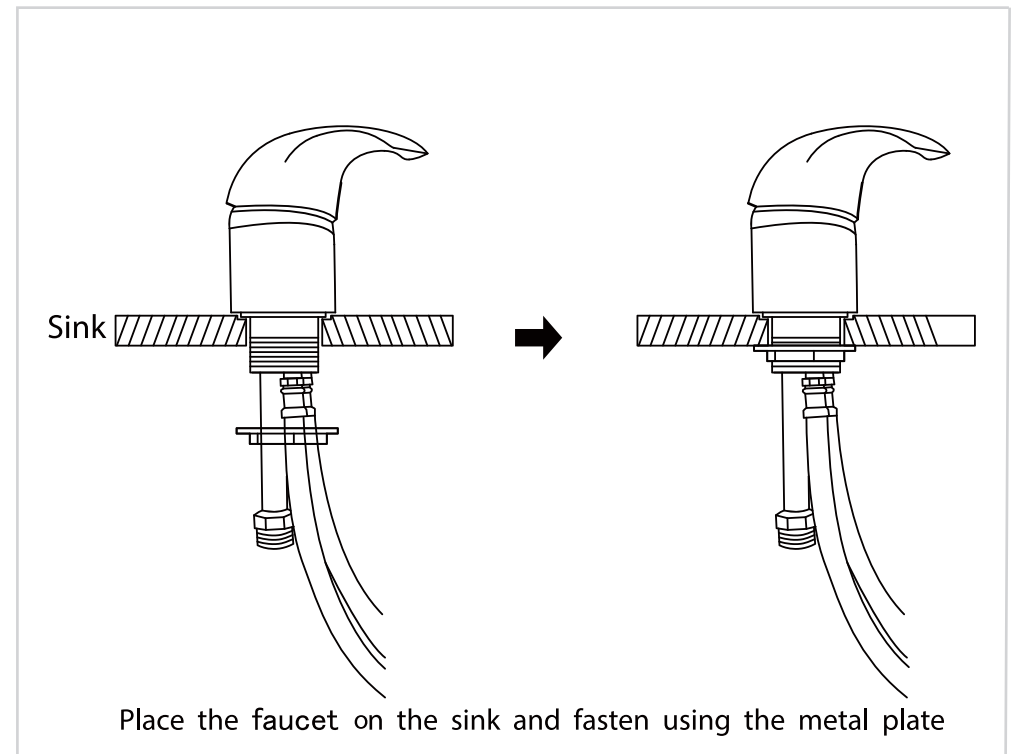
Vacuum Breaker Sink



or

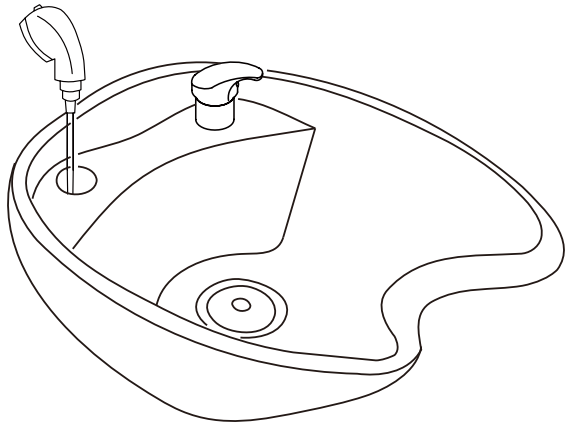


STEP 1

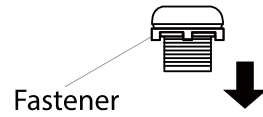


STEP 2

Sprayer Set Up None Vacuum Breaker Sink

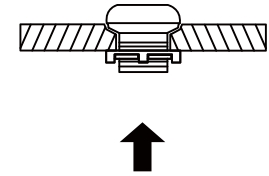
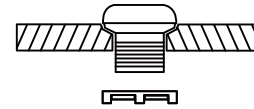


0350



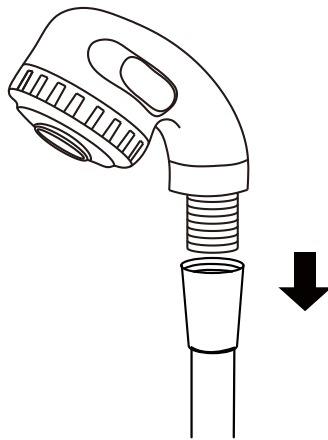
Unscrew the fastener from the sprayerhead holder.

STEP 1



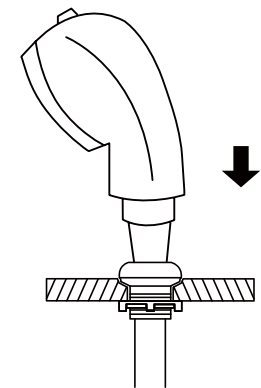
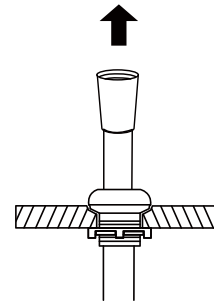
Fasten the sprayerhead holder to the sink with the plastic fastener.

STEP 2



Unscrew the sprayerhead from the sprayer hose.

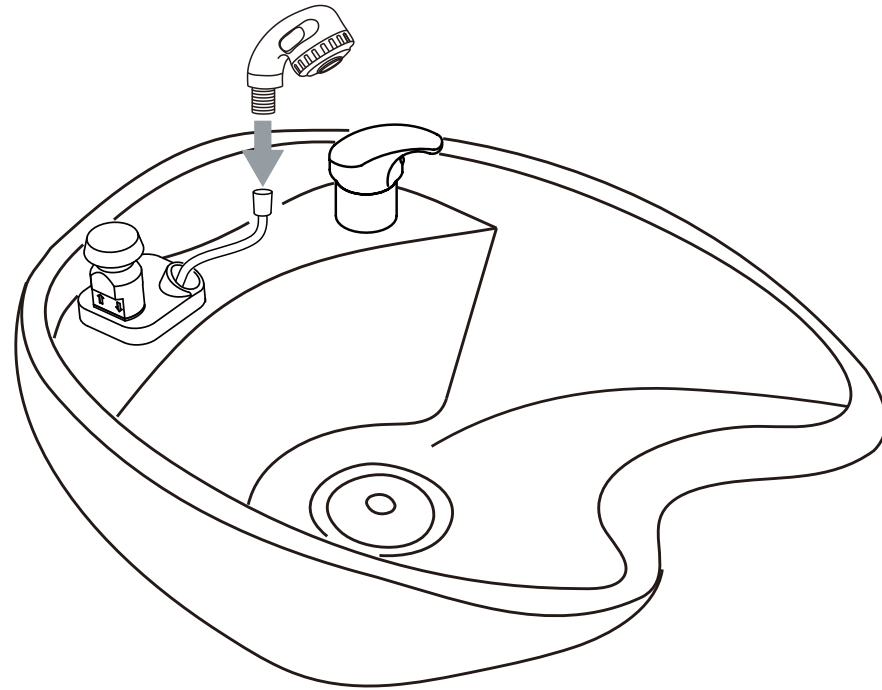
STEP 3



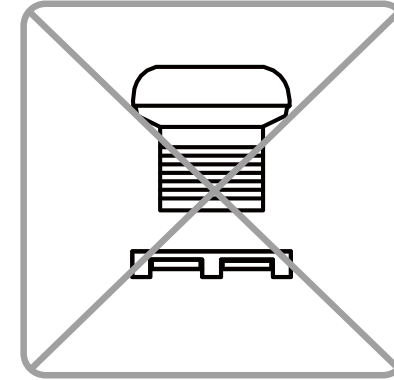
Place the sprayer hose from underneath through the sprayerhead holder and fasten the sprayerhead to the sprayer hose.

STEP 4

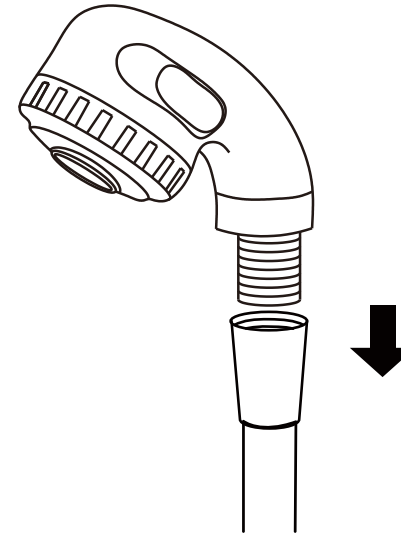
Sprayer Set Up Vacuum Breaker Sink



0388

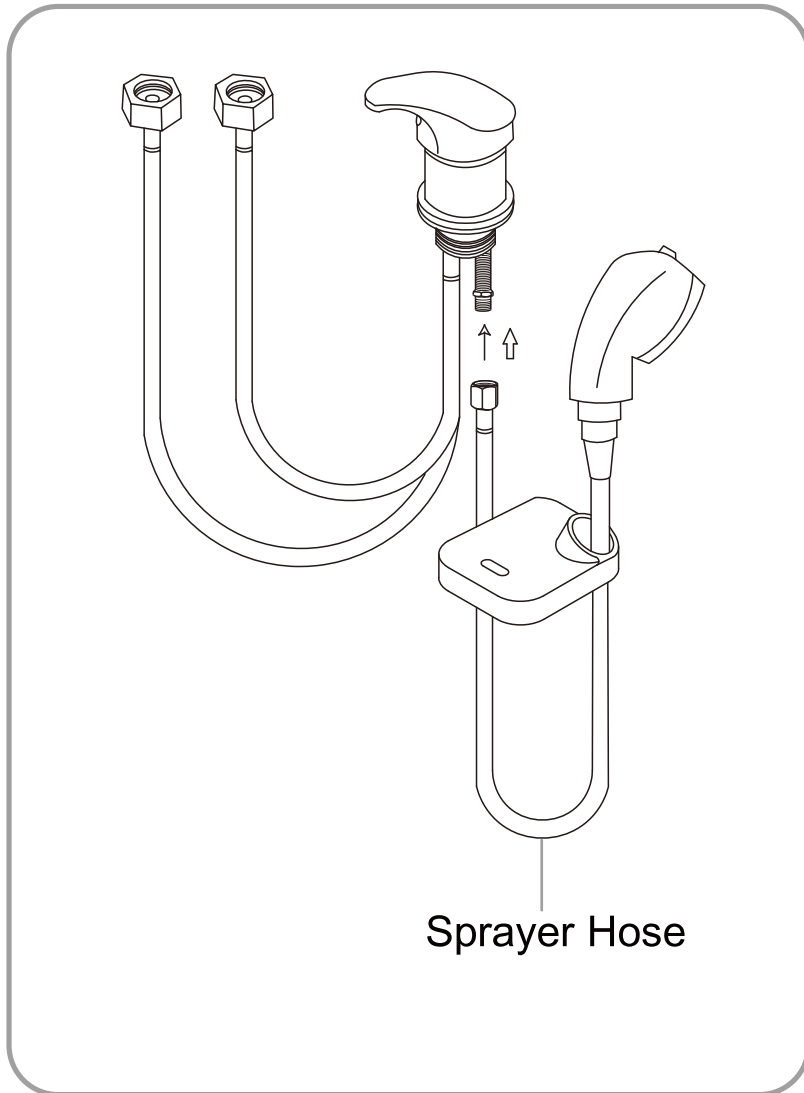


no need



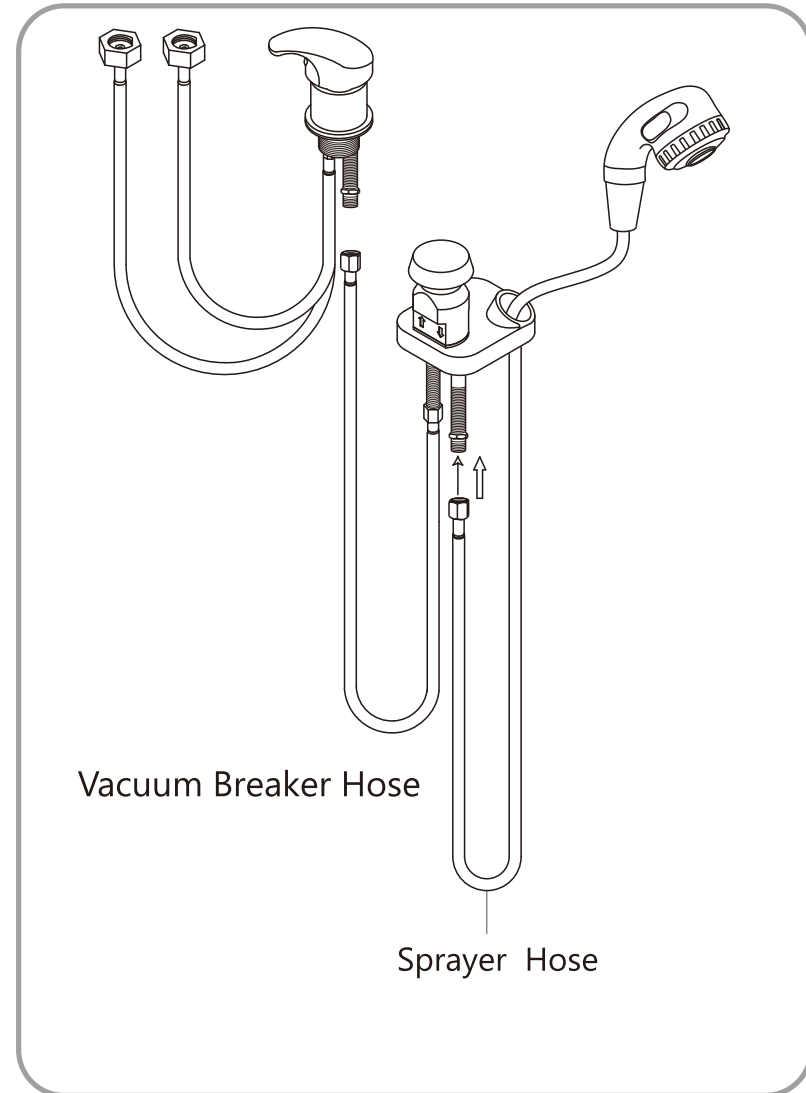
Unscrew the sprayerhead from the sprayer hose.

Non-Vacuum Breaker Sink



or

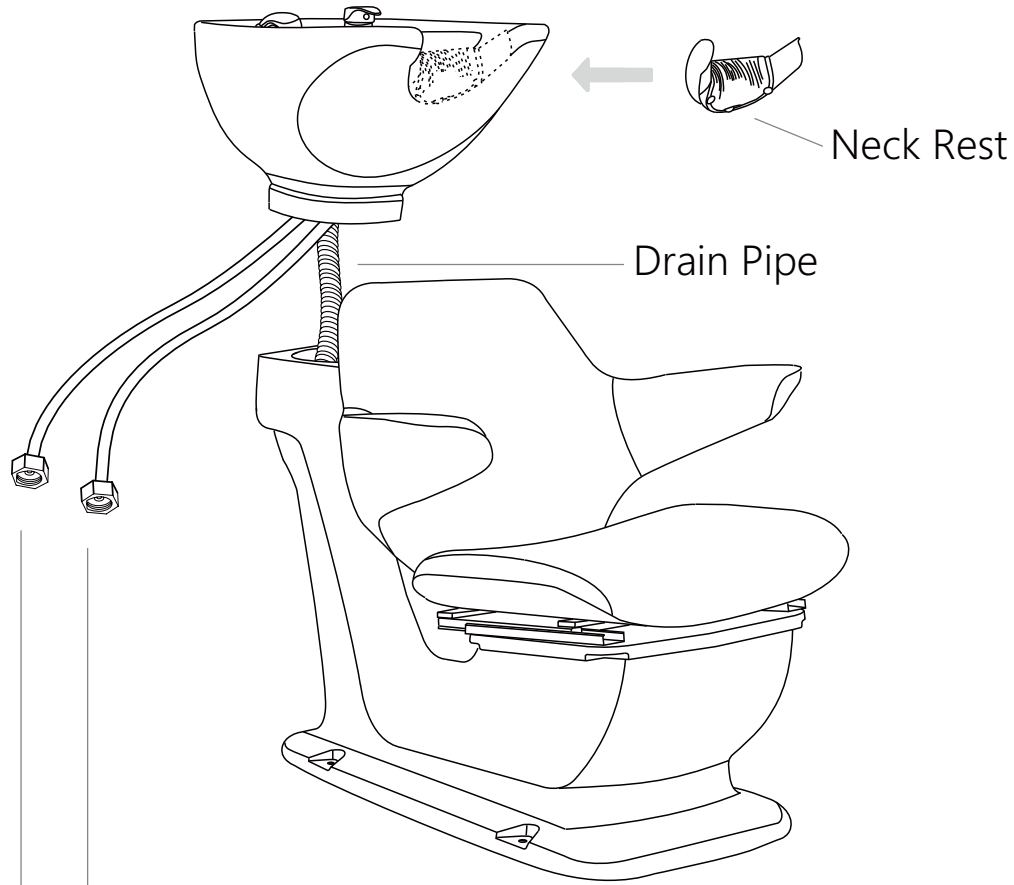
Vacuum Breaker Sink



Plumbing setup:

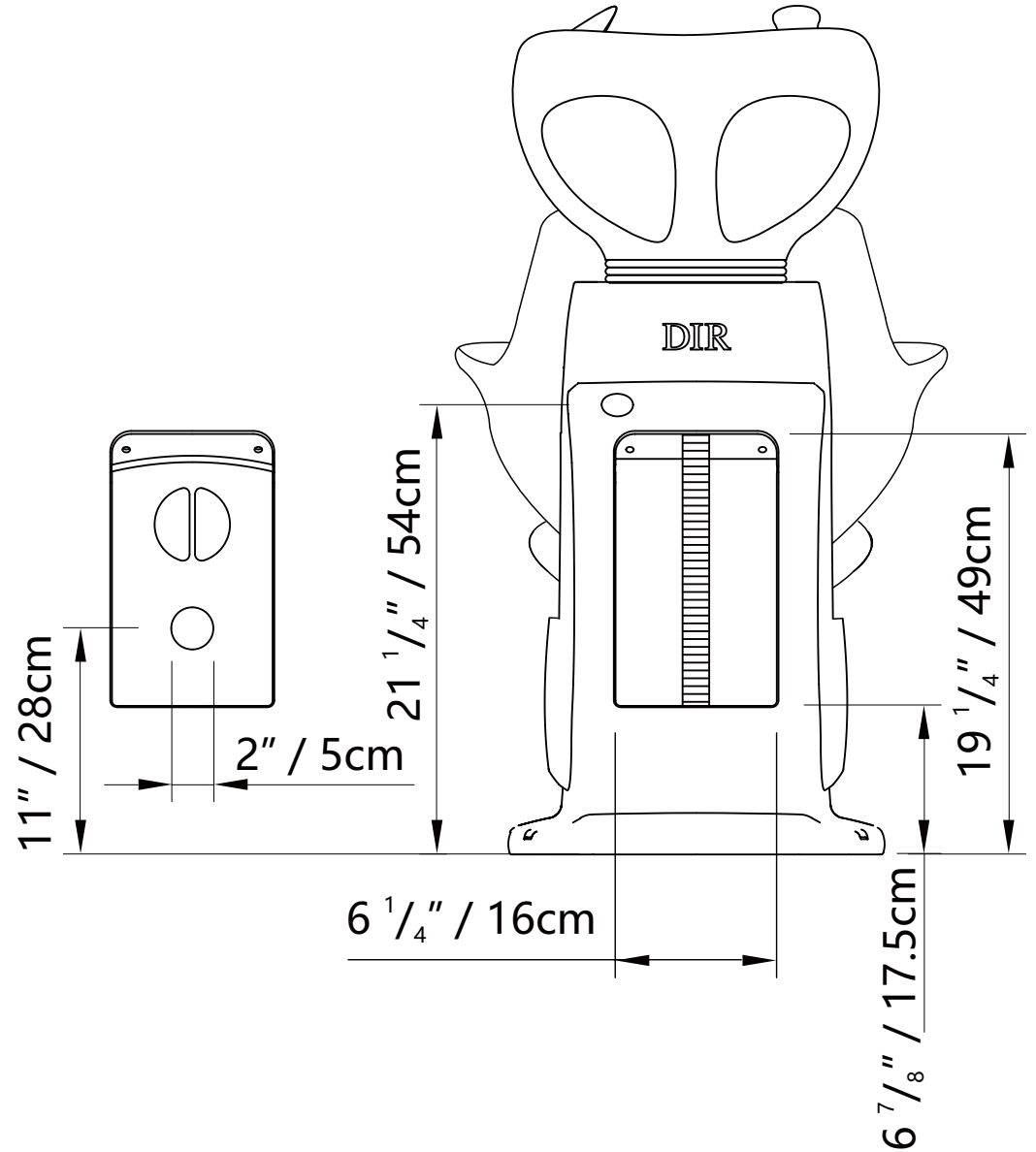
*removable back panel to route both water supply lines and make all connections.

0350



Blue water pipe (connect to cold water)

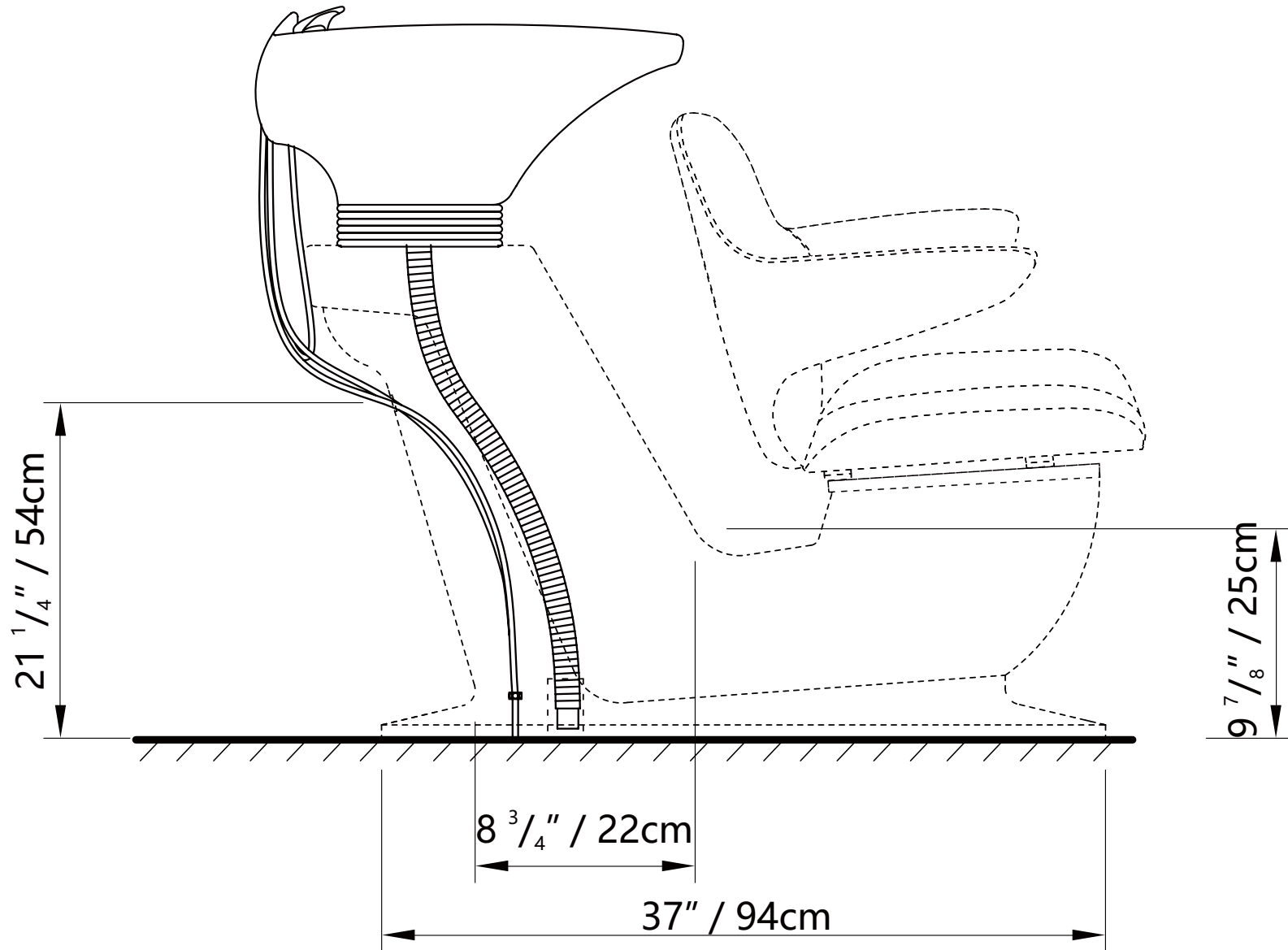
Red water pipe (connect to cold water)



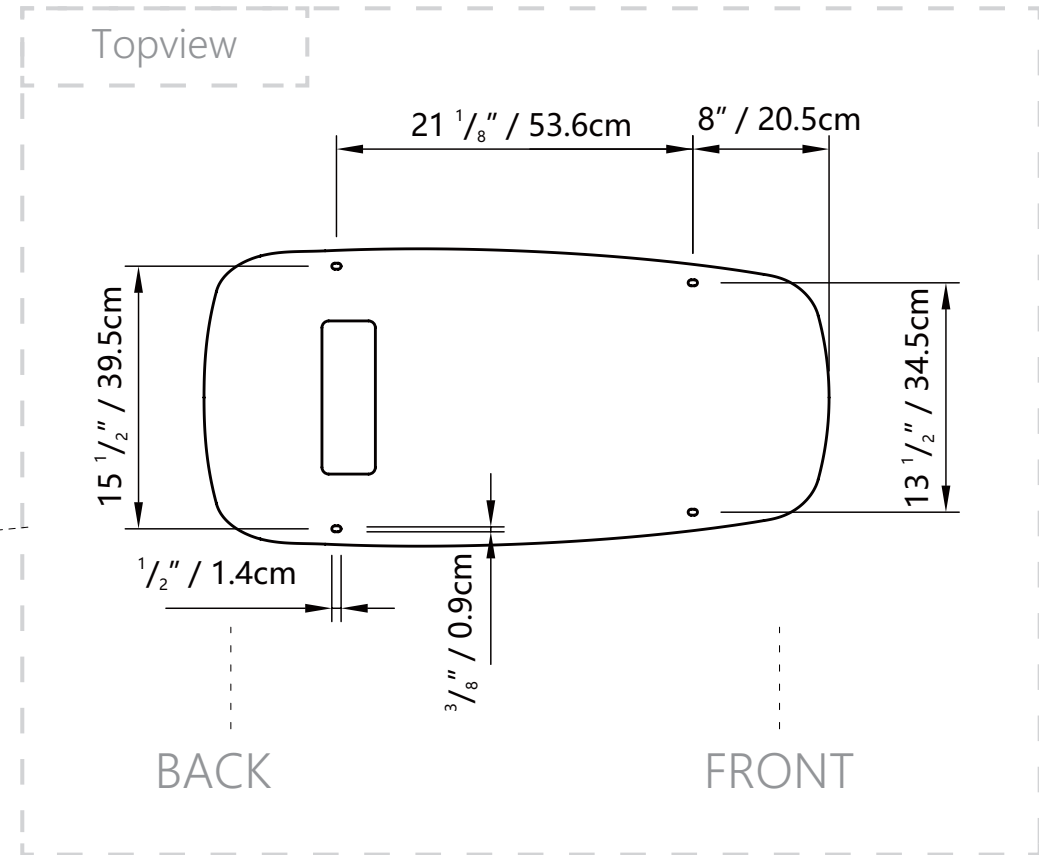
Floor plumbing setup:

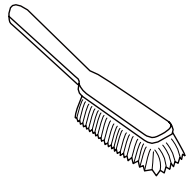
All connection pipes are enclosed within the base unit.

Water supply lines are routed into the unit via circle opening on the back of the base.

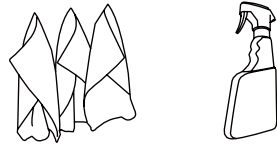


Secure the backwash on the floor by the provided floor anchors.

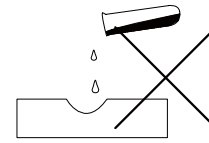




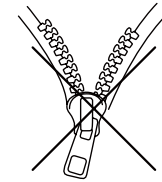
Brush away excess hair



Clean surface with damp cloth or use simple soap & water solution.



Avoid using corrosive cleaning agents such as bleaches.



Do not remove upholstery for cleaning

Warranty

The warranty period is one year. DIR warrants to you, the original buyer, that goods shall be free of defects in material and/or workmanship attributable to manufacture for one year from date of receipt of product. Damage resulting from improper handling after merchandise is received, or from exposure to weather or extreme atmospheric conditions is not covered by the warranty. For any other information please contact our support team:

DIR Birmingham

66 Rea Street South
Birmingham
B5 6LB

Email: sales@dirstore.co.uk
Phone: +44 (0) 121 6434777

DIR London

Unit 1 River Road Business Park,
33 River Road, Barking,
Greater London, 1G11 0DA

Email: sales@dirstore.co.uk
Phone: +44 (0) 20 8591 9310

DIR New York

575 Underhill Blvd Suite #170
Syosset, NY 11791, USA

Email: sales@dirsalonfurniture.com
Phone: +1 (718) 628 6668
+1 (800) 728 2008
Fax: +1 (855) 628 5168