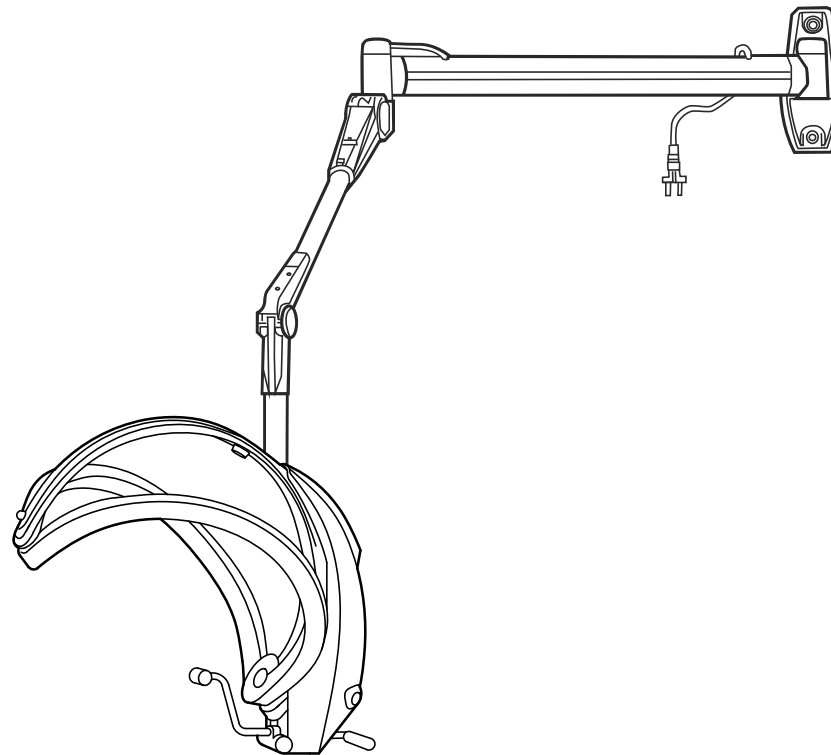


DIR[®]

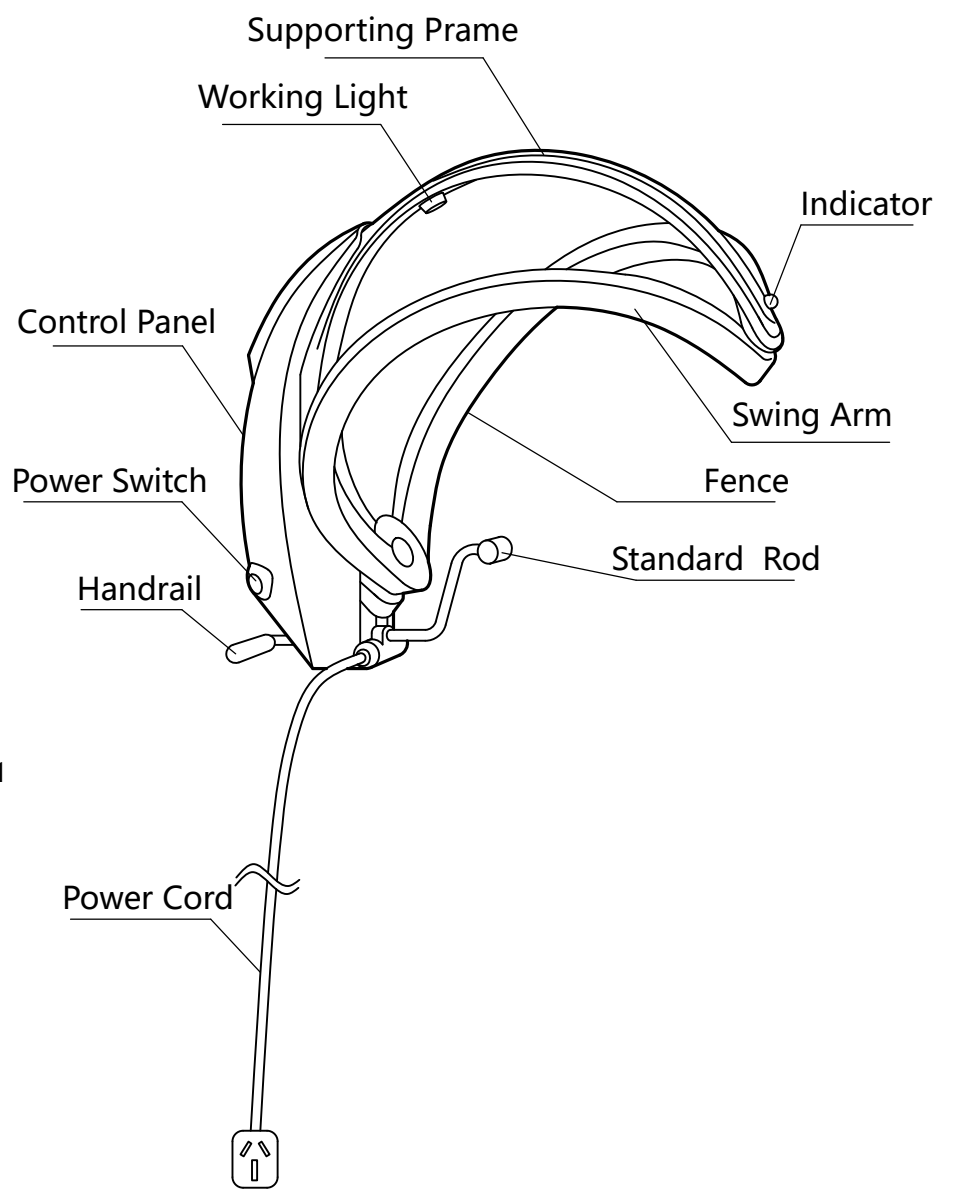
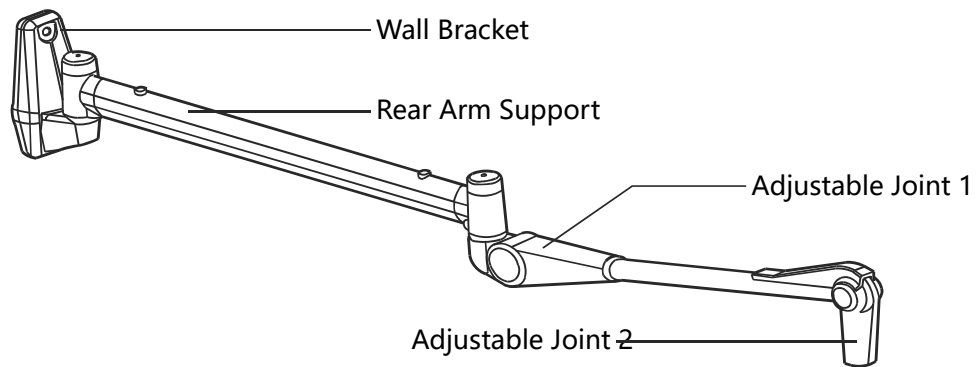
Damita Wall Mounted

P07WM

INSTRUCTION MANUAL



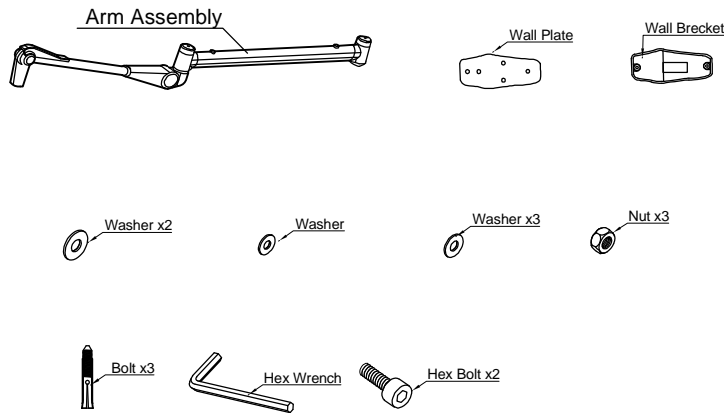
Part Instruction



1 PRE-INSTALLATION

1-1 OBSERVE THE CARTON OUTSIDE Please check whether the weight capacity of the carton is in accordance with the net weight nominal of the head assembly, if the nominal is in accordance with the weight capacity, then you can enter into the next installation.

1-2 SPARE PARTS (Please see the below pictures) Open the carton. Check the arm assembly and see whether it is damaged. The spare parts are complete or not, please see the below pictures. (Remark: The wall plate and wall bracket are attached together with bolts before the factory delivers the machine.)



2 INSTALLATION OF WALL BRACKET

2-1. Installation of Wall Mount Arm Before Installation

1. Wall

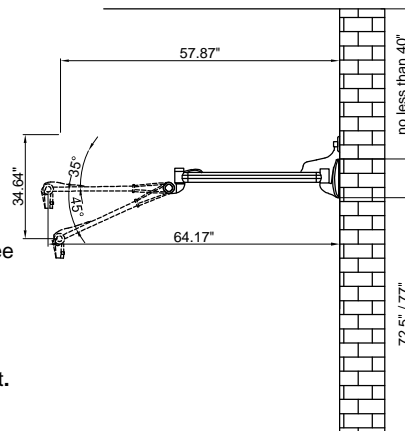
The wall must be strong enough to support the arm assembly.

2. Height

The recommended height of the wall bracket is 72.5/77 inches from the floor to the bottom of the bracket (see diagram).

3. Electric Source

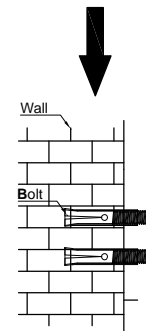
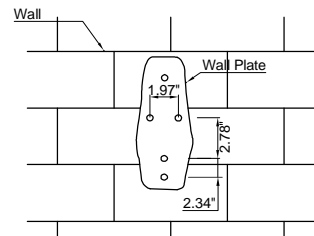
An electrical power outlet must be prepared on the wall within 48 inches distance from the wall bracket.



2-2. The wall plate and wall bracket are already attached together with bolts upon delivery. (See diagram)

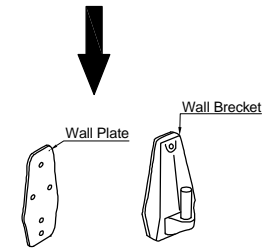
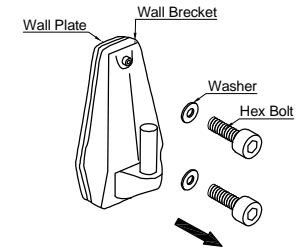


2-4. Use the wall plate as a template and drill three holes on the wall (please refer to diagram for the correct drill positioning). The size and depth of the holes will be in accordance with the bolts supplied.

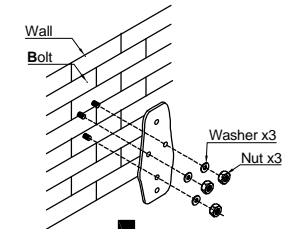


Caution! As the wall plate and wall bracket are subject to a large load, please make sure that the wall plate is installed correctly and securely. Do not remove stopper on arm until the machine head is correctly installed. The arm assembly is spring loaded and could cause damage to equipment and customers if not handled correctly.

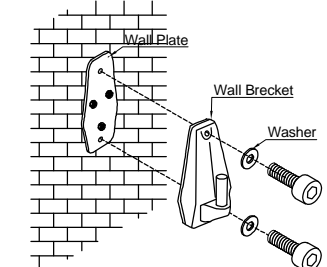
2-3. With the supplied spanner, loosen the bolts and remove the wall plate



2-5. Attach the wall bracket to the wall with the bolts, and then fix with the supplied washers.



2-6 Attach the wall bracket to the wall plate, and then tighten with bolts.

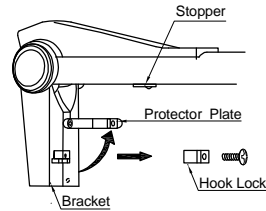


3 INSTALLATION OF MACHINE HEAD

CAUTION:DO NOT REMOVE STOPPER on Arm until machine head is completely installed. Arm assembly is spring loaded and could cause equipment damage and / or injury if not handled in proper manner.

For both the arm assembly and the machine head are fairly heavy, it is suggested that the installation is done by two persons together as instructed in the following steps.

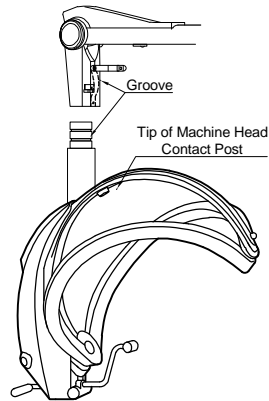
3-1 Remove the screw at the protector plate underside and rotate the protector plate anti-clockwise till it is vertical. Remove the hook lock after loosening the screw.



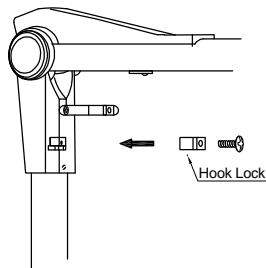
3-2 Stand the machine head on the floor and keep it upright with two hands. Another person holds up the arm assembly and then inserts the tip of the arm into the machine head contact post.

Note one: Please make sure to insert the machine head contact post firmly. The tip of the arm assembly must be vertical adown. You may also turn the tip of the arm assembly left or right slightly and press the tip of the arm assembly slightly.

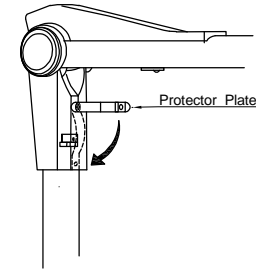
Note two: The tip of the arm assembly must be in osculated completely with the head contact post. Please pay more attention to the groove of the bracket, if you can see the groove of the machine head contact post through the groove of the bracket, it shows the installation position is correct.



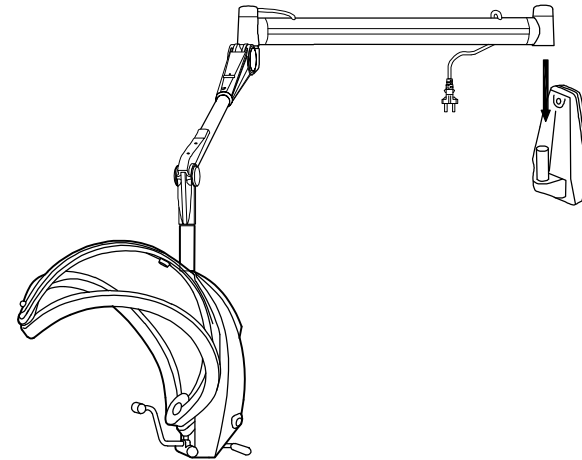
3-3 Reinstall back the hook lock to the groove and then tighten the screw firmly.



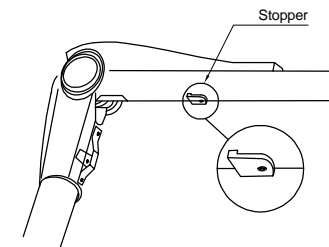
3-4 Turn the protector plate clockwise back to the original position and then tighten the screw firmly.

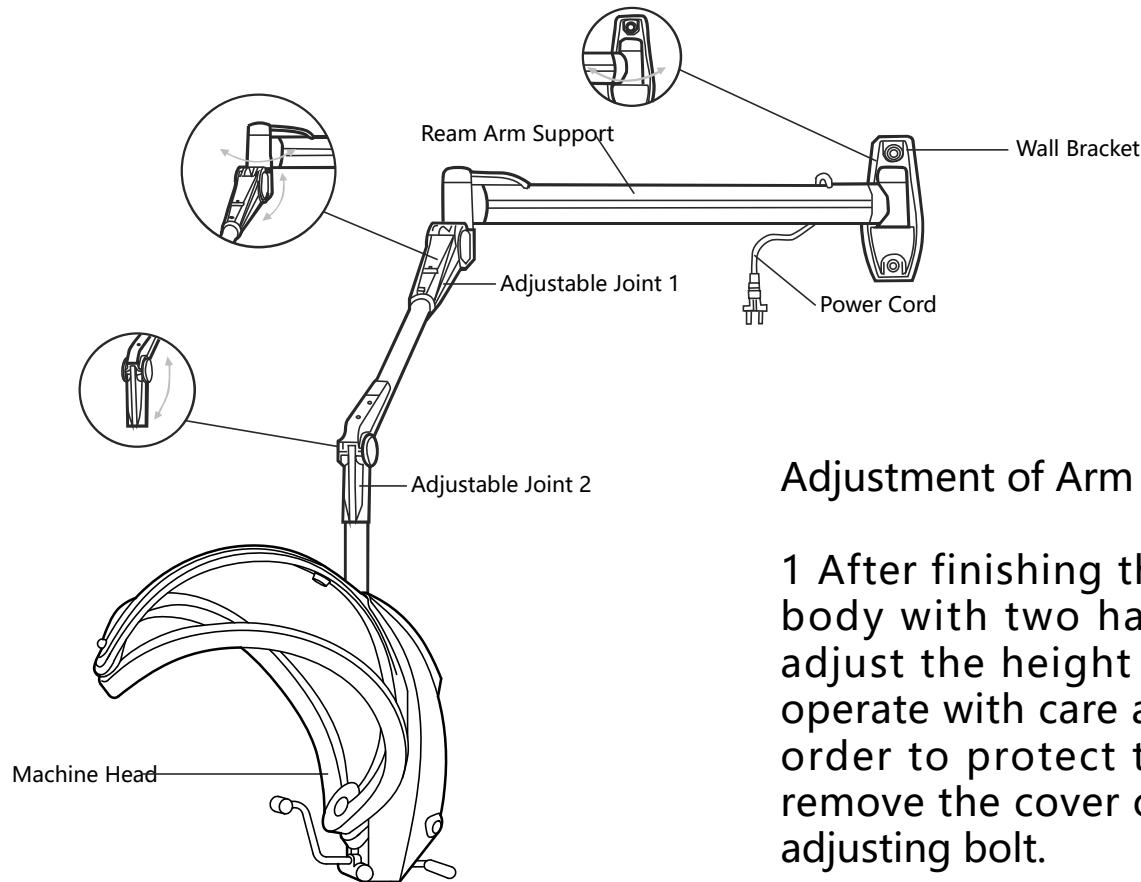


3-5 Two persons hold up the machine head and the arm assembly at the same time, then install on the wall.



3-6 Remove the stopper, otherwise it will damage the arm assembly!



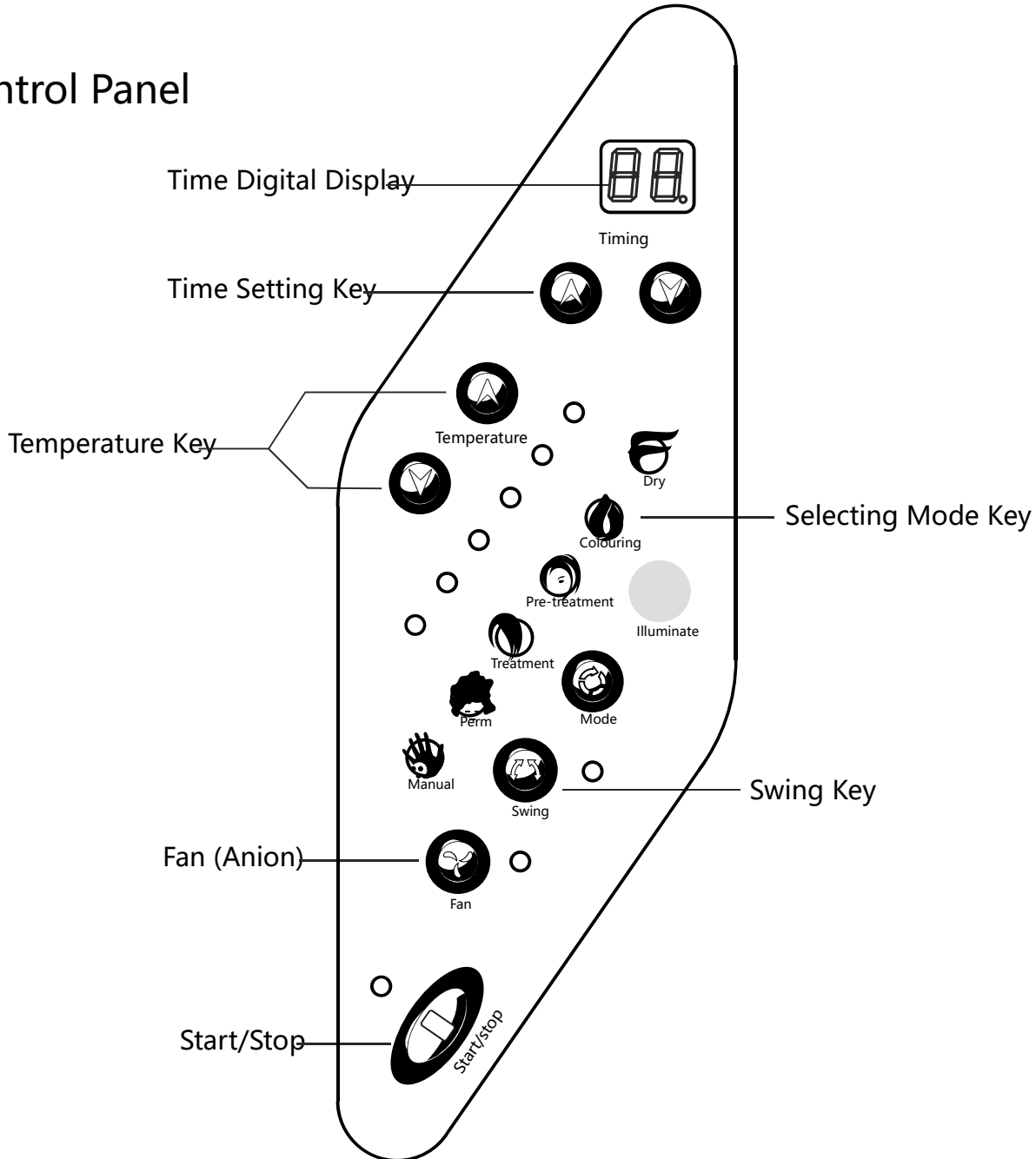


Adjustment of Arm Assembly

1 After finishing the installation, hold the machine body with two hands and move up and down to adjust the height position as you require. Please operate with care avoiding ceilings, furniture etc. In order to protect the arms, it is suggested not to remove the cover off the arms and not to rotate the adjusting bolt.

2 Before the manufacturer delivers the product the strength of the arm spring has been adjusted. Please load the correct weight as shown on the arm assembly.

Control Panel



Control Panel

Start/Stop

Press this key to start or end treatments. When the machine is on the control panel will illuminate, when the machine/treatment stops the control panel will not illuminate.

Fan(Anion)

Push this key to start/stop the fan. By pressing once the treatment will begin at a weak level, press twice for middle level, three times for strong level and by pressing four times the treatment will end; although the fan will still circulate.

The control panel will illuminate if the fan is in operation, once the treatment has come to an end the control panel will not light.

Swing Key

Push this key to stop the arms swinging refraining from any movement, by pressing this key twice the arms will resume movement.

The control panel will illuminate when the arms are in operation, when the arms are no longer in use the panel will not light.

Selecting Mode Key

By pressing this key this machine enables you to choose from one of the six built in modes, listed below...

A. Perm	B. Colouring 1	C. Colouring 2	D. Treatment	E. Dry	F. Manual
---------	----------------	----------------	--------------	--------	-----------

The control panel will illuminate the mode selected.

Temperature Keys

Press Δ to increase the temperature by 1 level.

Press ∇ to decrease the temperature by 1 level.

The temperature selected will illuminate on the control panel.

Time Setting Keys

Press Δ to increase the time by 1minute, hold the key to increase time up to 60minutes.

Press ∇ to decrease the temperature by 1 level, hold the key to decrease time down to 1 minute.

The temperature selected will illuminate on the control panel.

Digital Indicator

The indicator will show the time remaining on the current treatment. When the treatment has come to an end the control panel will show as "00" and will continue to show extra time.

Technical Description

AC 110-120V	50/60Hz	1100W
AC 220-240V	50/60Hz	1100W

To get the best results out of this product and to ensure customers comfort, please follow the steps listed below...

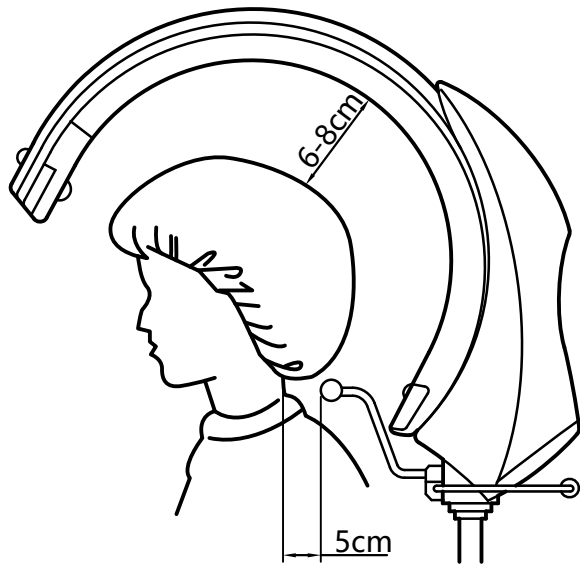


Diagram 1

Step 1

Alida should be adjusted and placed 6-8cm from the back of the customer's head and 5cm (2") from the rear of the customer's neck.

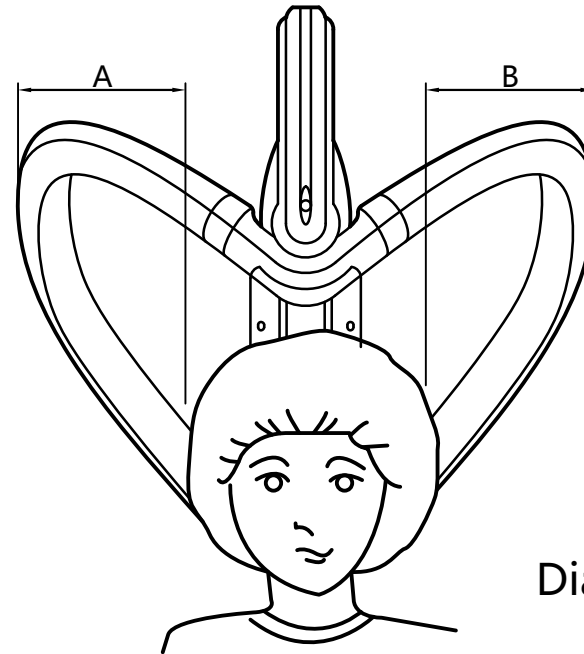


Diagram 2

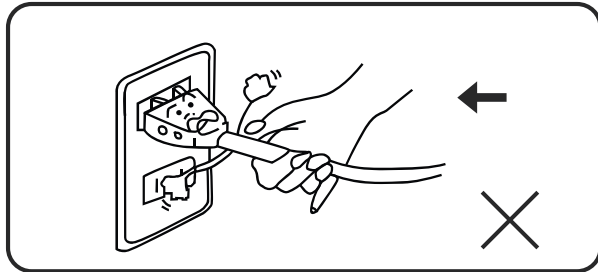
Step 2

The distances between A and B should be exact. (As in diagram)

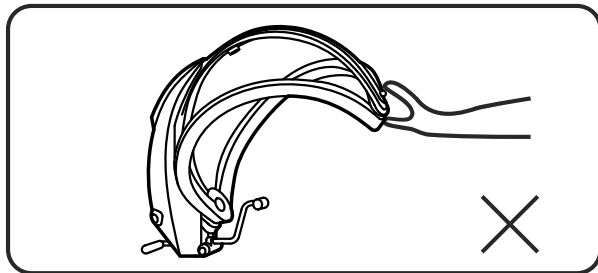
Caution & Maintenance

1. Avoid use in extreme hot or cold temperatures.

2. Please use correct power source



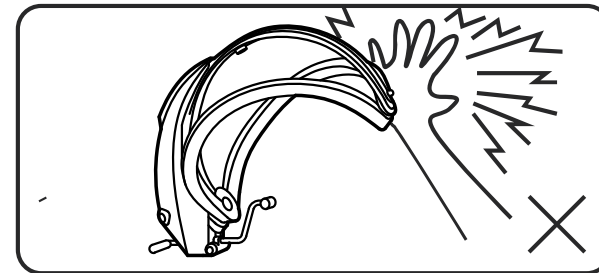
3. Do not disconnect the power plug by pulling the cable. Hold the plug and then pull.



5. Do not touch during operation – Hot Surfaces.



4. Dry hands before use.



6. Do not move or lift product when in use. This could damage the machine as well as causing damage to customer/-stylist.

Operation Manual

Note: Please read the information regarding suitable positioning, before operating.

Turn on Machine

1. Turn on the power switch, the LED light will glow.
2. The control panels default is set to "Manual"

Select a Mode

1. Select "Choose Mode" and select the treatment required.
2. Temperature level, time and fan can be adjusted according to treatment.

Start/Stop

1. The machine will start to heat as per the selected working mode, during this time the LED control panel will glow.
2. The LED will continue to glow until the machine stops.
3. The arms will start movement and heating

During Operation

1. The start/stop, temperature and time indicators LED will continue to light during operation.
2. During the working mode you may alter the time and temperature by using the time/temp buttons.

Changing Current Mode

1. Push the "start/stop" key to interrupt the treatment. The arms and indicator light will enter standby mode.
2. The modes and temperature levels will shine after you have reselected a new programme.
3. Time light will be off and the indicator will show the preliminary set time.
4. Select the new mode you wish to switch to then select the "start/stop" key. The machine will now resume with the new selected mode.

Finish Treatment

1. The control panel will sound when the treatment has come to an end.
2. The arms will automatically move back to the default position and stop heating.
3. Start/Stop and Indicator light will turn off.
4. The modes and temperature levels will glow.
5. The digital time indicator will show as "0" when the machine has finished operation. The time light will then flash once per second to start counting down any extra time.

Turn Off Power Source

1. Turn off machine by the power switch.
2. Please pull out the power plug, if machine is not in use for a long period of time

Note: During operation, the fan can be turned on/off at your will. The machine can resume to original position when the set time is up. The control panel will sound and the time will indicate as "00" and begin to re-calculate the time.

Modes application and prefixed functions

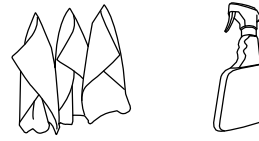
Mode	Application	Pre-fixed Functions					
		Time	Fan	Rotation	Anion	Temp level	Initiative time of temp level
Perm	When perming, adjust time and temp level according to type of hair & treatment	10 min	Off	On	Off	4	2.5 min
		Adjustable according to condition and method					
Colouring 1	When dying hair, adjust time and temp level according to type of hair & treatment	15 min	On	On	On	4	2.5 min
		Adjustable according to condition and method					
Colouring 2	When dying hair, adjust time and temp level according to type of hair & treatment	20 min	Off	On	Off	5	3 min
		Adjustable according to condition and method					
Treatment	Used for perm, colouring & treatments with bleach	15 min	Off	On	Off	4	2.5 min
		Adjustable according to condition and method					
Dry	Used for drying hair & natural styling	18 min	On	On	On	6	3.5 min
		Adjustable according to condition and method					
Manual	Used for several modes. Works together according to technique or hairstylist	10 min	On	On	On	3	2 min
		Adjustable according to condition and method					

Notes: 1. Machine default is set to manual. 2. There are three fan speeds; the products strongest level is when the fan is turned on at any pre-fixed function, regardless to whether the fan is in operation the levels can be adjusted.

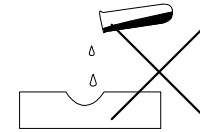
Product care



Brush away excess hair



Clean surface with damp cloth or use simple soap & water solution.



Avoid using corrosive cleaning agents such as bleaches.

Warranty

The warranty period is one year. DIR warrants to you, the original buyer, that goods shall be free of defects in material and/or workmanship attributable to manufacture for one year from date of receipt of product. Damage resulting from improper handling after merchandise is received, or from exposure to weather or extreme atmospheric conditions is not covered by the warranty. For any other information please contact our support team:

DIR BIRMINGHAM

66 Rea Street South
Birmingham
B5 6LB
UK

Tel:
+44(0)121 6434777

Email:
dirdsalon@gmail.com

DIR LONDON

Unit 1 River Road
Business Park
33 River Road, Barking
Greater London
IG11 0DA
UK

Tel:
+44(0)20 8591 9310

Email:
dirdsalon@gmail.com

DIR NEW YORK

575 Underhill Blvd.
Suite 170
Syosset, NY 11791
USA

Tel:
+1 (718)628-6668
+1 (800)728-2008

Email:
sales@dirdsalonfurniture.com

DIR IRELAND

Unit 20, Goldenbridge Ind.
Estate Tyrconnell Road
Inchicore
Dublin 8
Republic of Ireland

Phone:
+353 (1) 429 7969

Email:
sales.ireland@dirgroup.ie