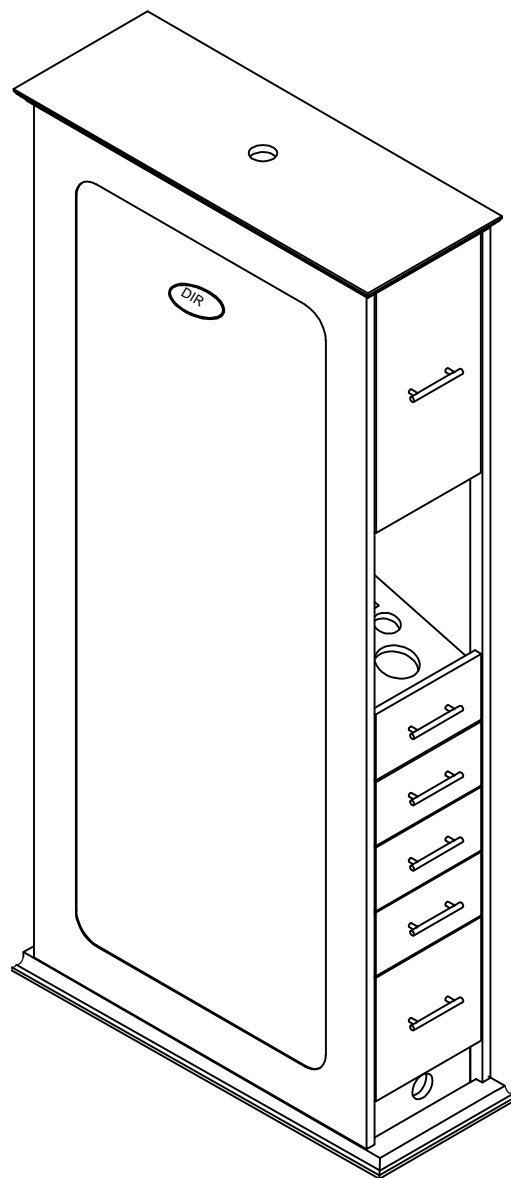


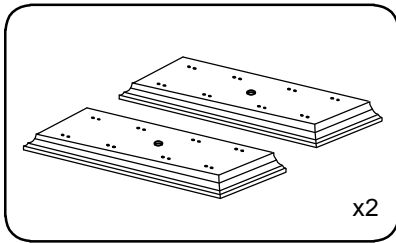
DIR

ADONIS SINGLE

6201-2G
INSTRUCTION MANUAL

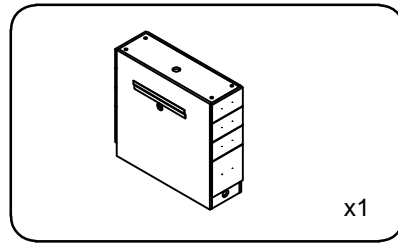


List of Parts & Tools



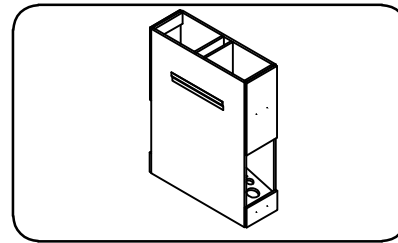
x2

101001

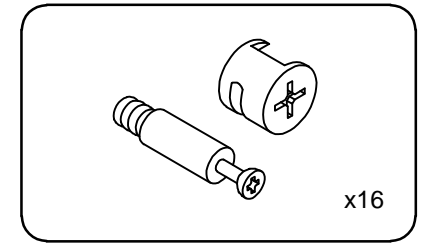


x1

101002

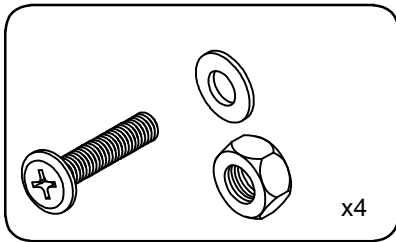


101003



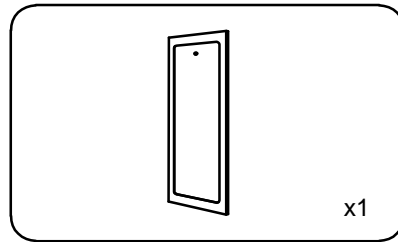
x16

121002



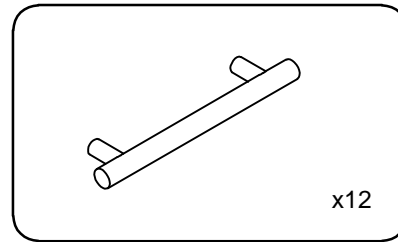
x4

113630



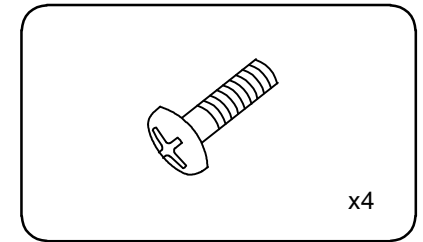
x1

101004



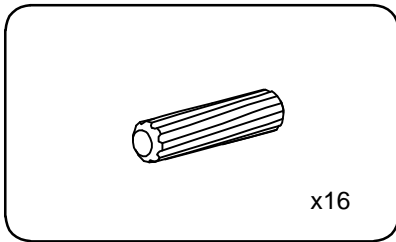
x12

101005



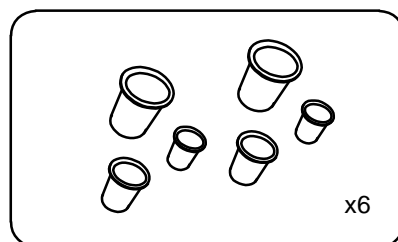
x4

122418



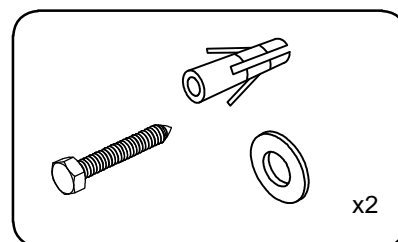
x16

121003



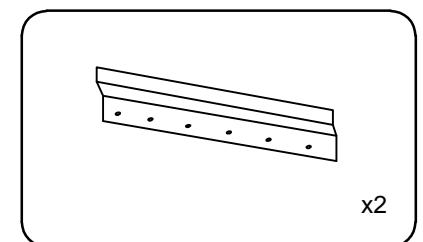
x6

101006



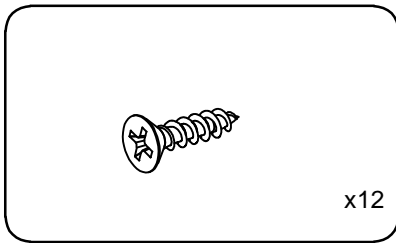
x2

101007



x2

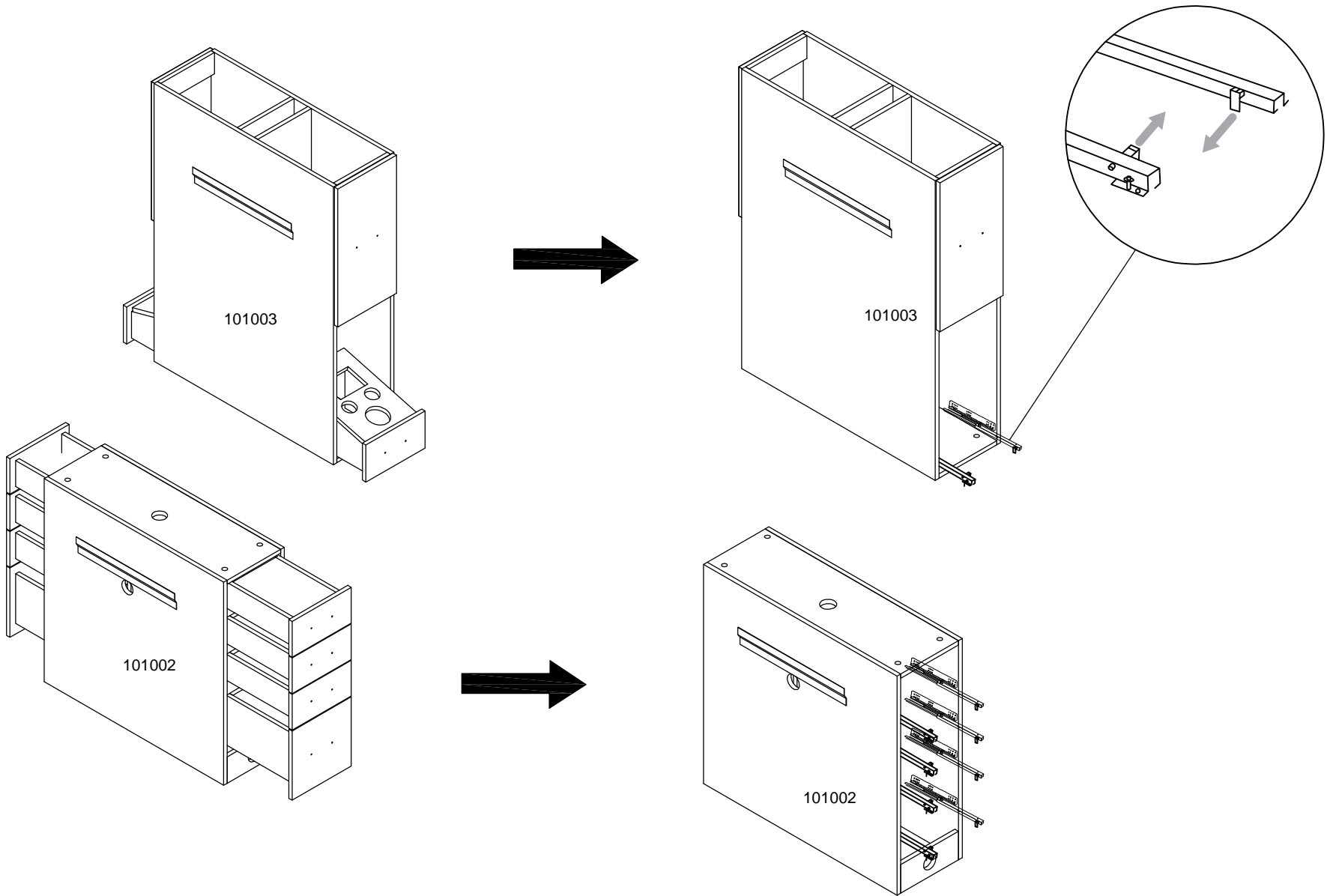
101008



x12

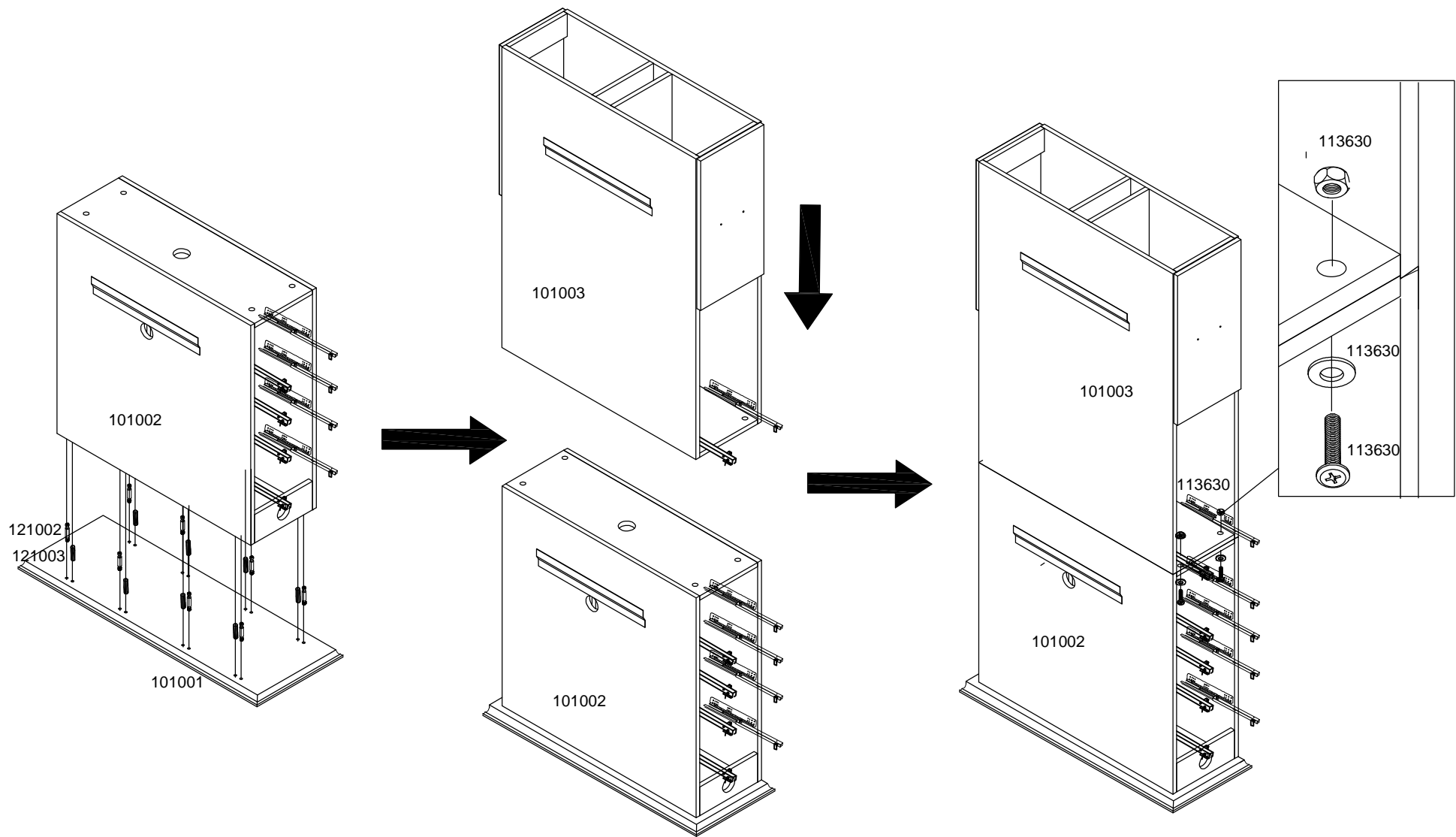
101009

Step 1

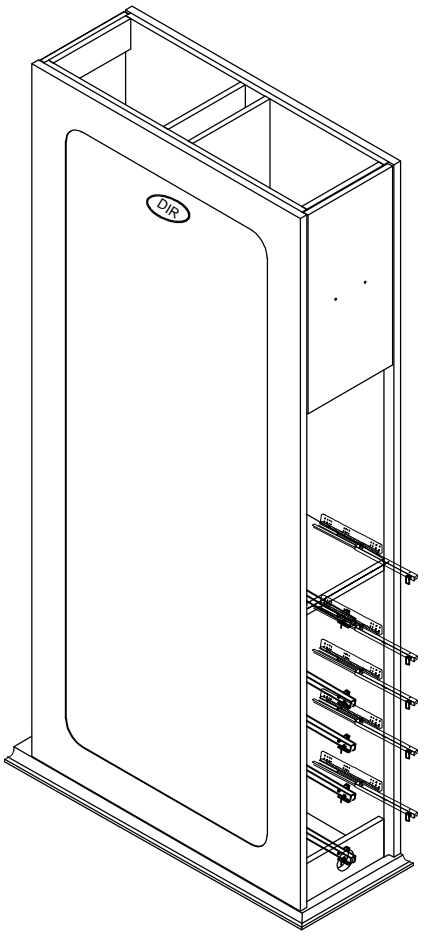
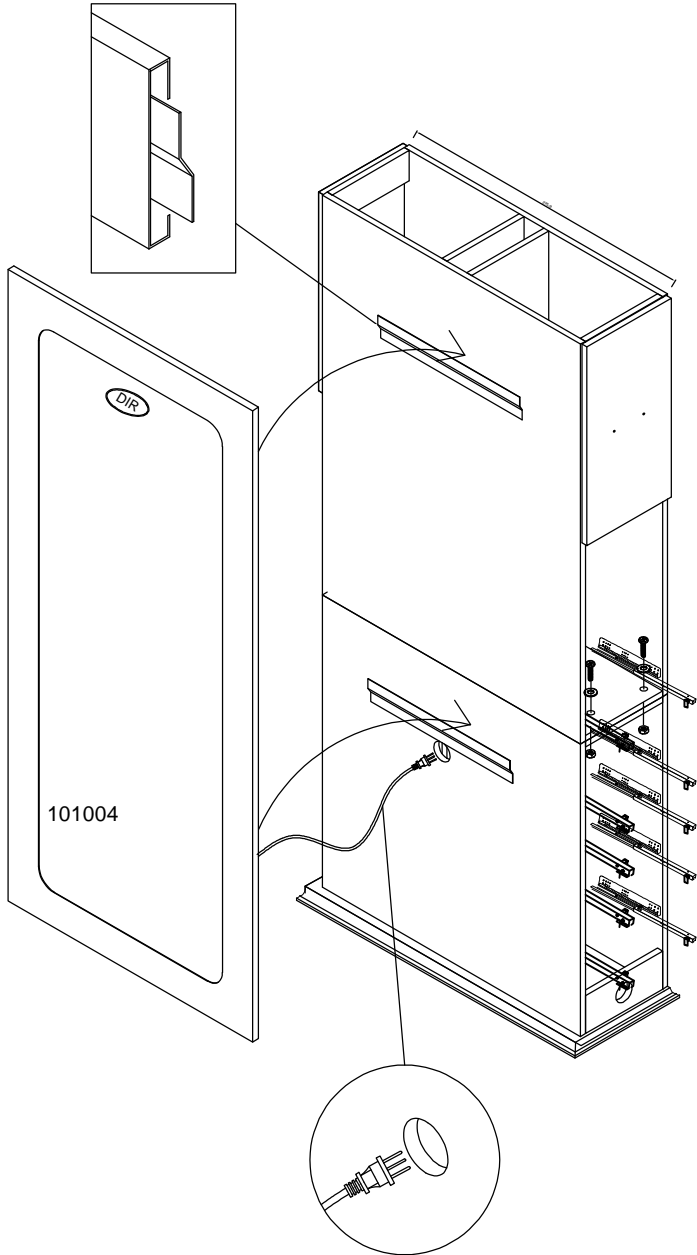


Remove all drawers for installation of the mirror
Retract drawer slides to avoid injury

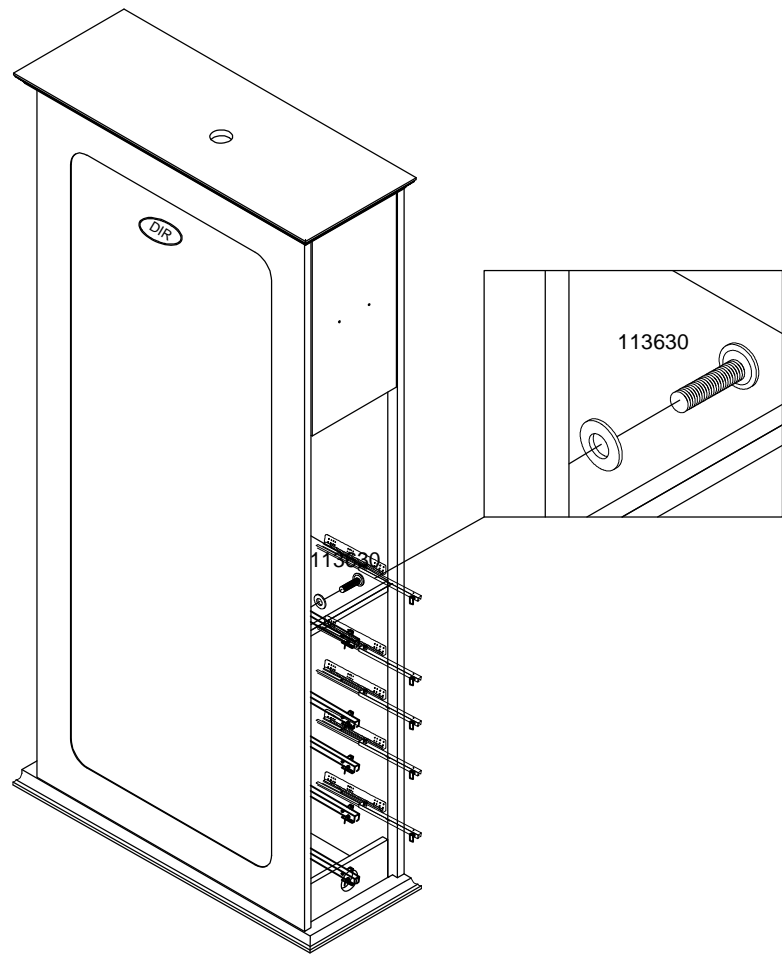
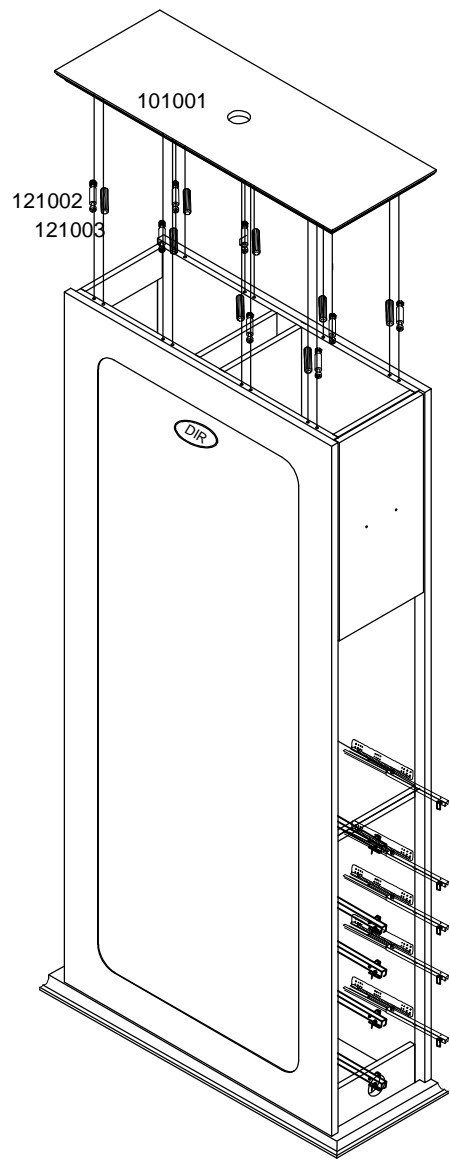
Step 2



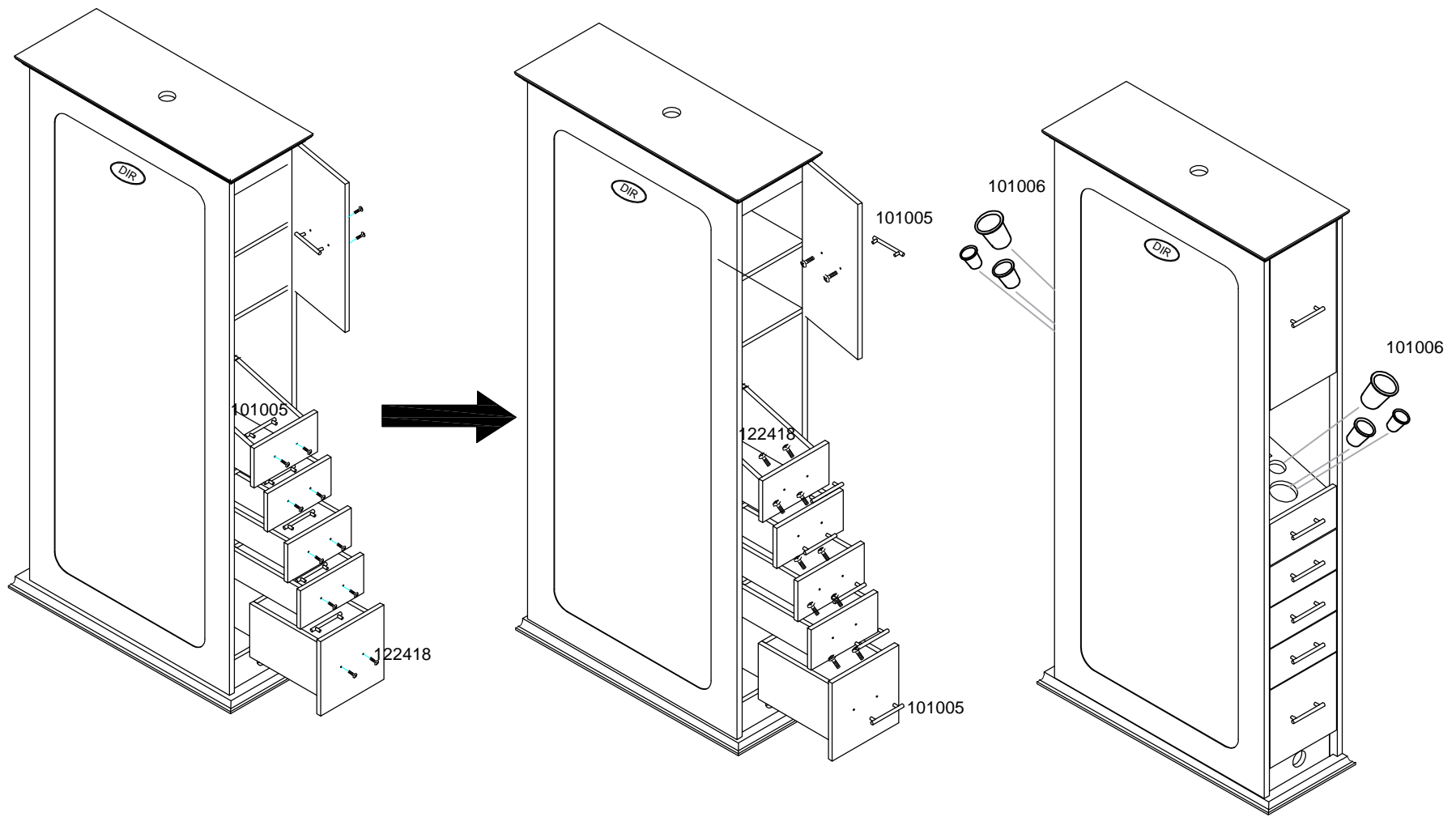
Step 3



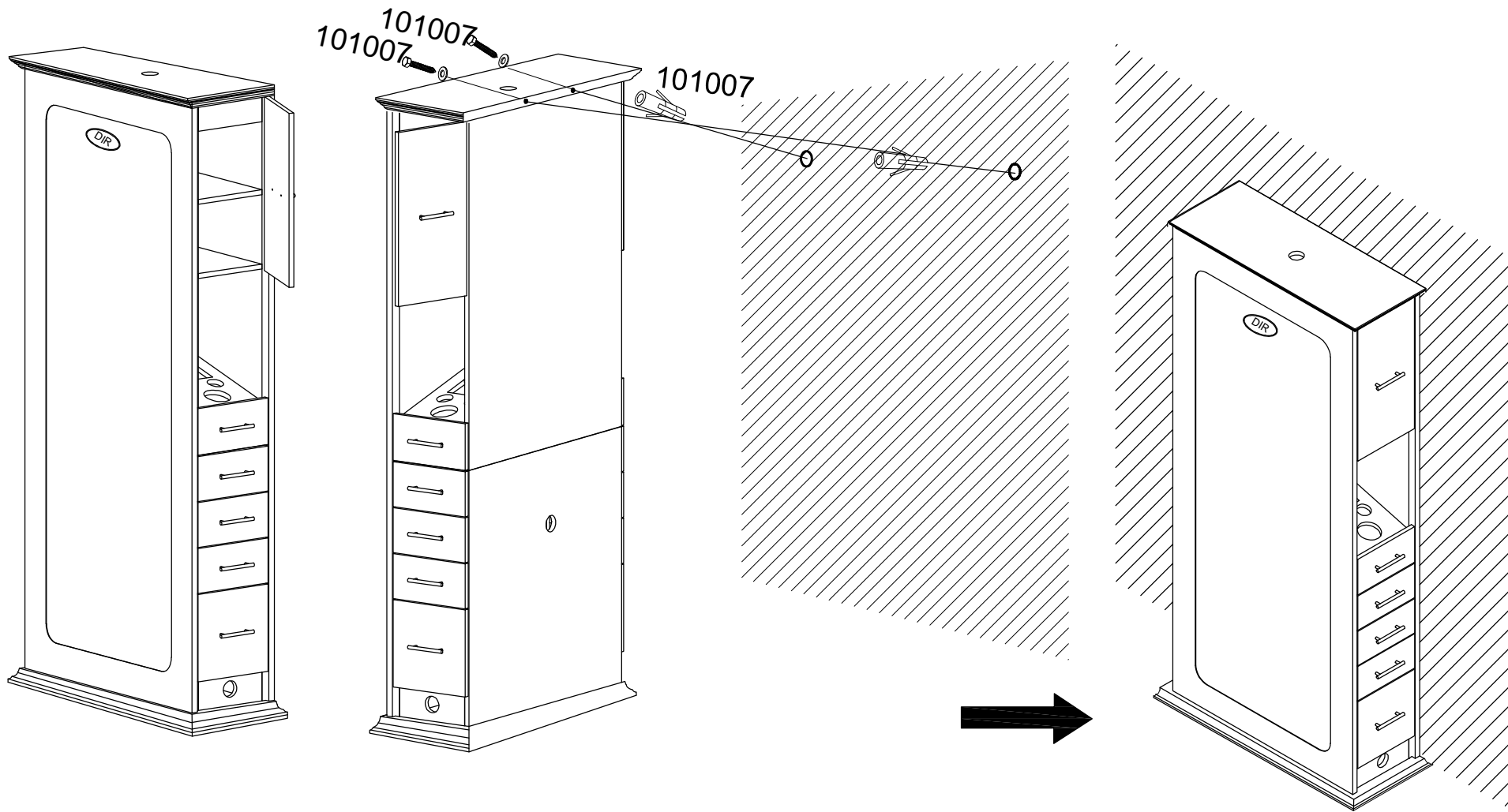
Step 4



Step 5



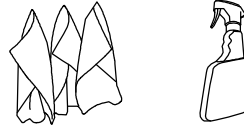
Step 6



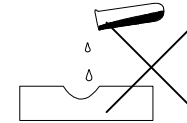
Product care



Brush away excess hair



Clean surface with damp cloth or use simple soap & water solution.



Avoid using corrosive cleaning agents such as bleaches.

Warranty

The warranty period is one year. DIR warrants to you, the original buyer, that goods shall be free of defects in material and/or workmanship attributable to manufacture for one year from date of receipt of product. Damage resulting from improper handling after merchandise is received, or from exposure to weather or extreme atmospheric conditions is not covered by the warranty. For any other information please contact our support team:

DIR BIRMINGHAM

66 Rea Street South
Birmingham
B5 6LB
UK -----

Tel:
+44(0)121 6434777

Email:
dirsalon@gmail.com

DIR LONDON

Unit 1 River Road Business
Park
33 River Road, Barking
Greater London
IG11 0DA
UK -----

Tel:
+44(0)20 8591 9310 -----

Email:
dirsalon@gmail.com

DIR NEW YORK

575 Underhill Blvd.
Suite 170 Syosset, NY
11791 USA

Tel:

+1 (718)628-6668
+1 (800)728-2008 -----

Email:
sales@dirsalonfurniture.com

DIR IRELAND

Unit 20, Goldenbridge Ind.
Estate Tyrconnell Road
Inchicore
Dublin 8
Republic of Ireland

-----Phone:
+353 (1) 4 29 7969 -----

Email:
sales.ireland@dirgroup.ie
