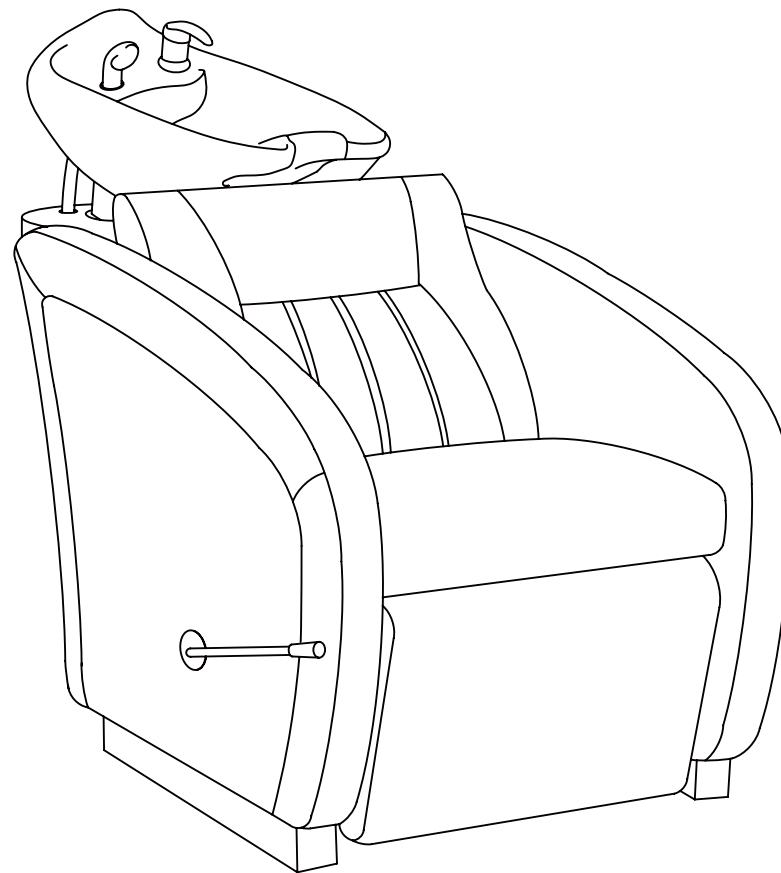


DIR[®]

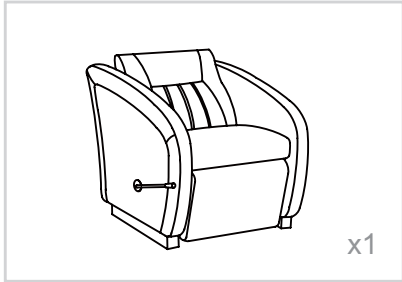
Anode

7837

INSTRUCTION MANUAL

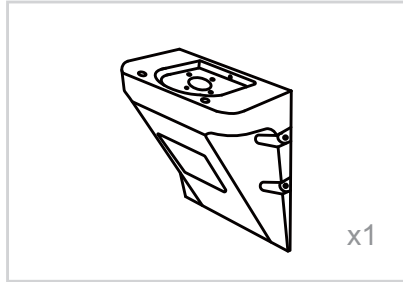


List of Parts & Tools



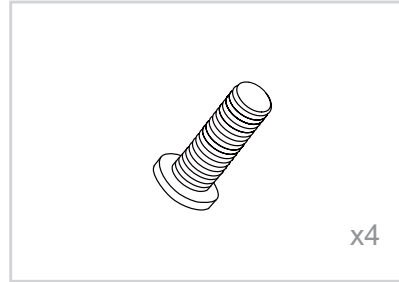
x1

101001



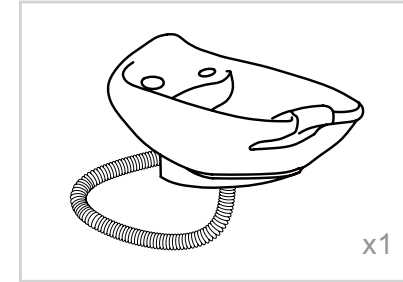
x1

7001



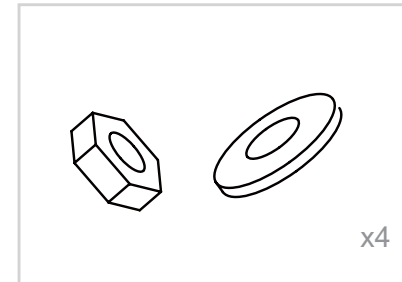
x4

101003



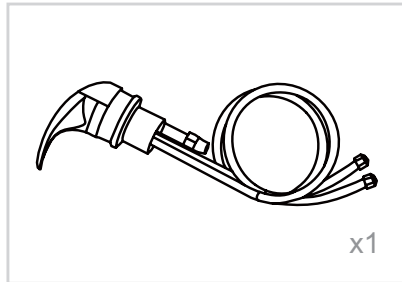
x1

0350/0388



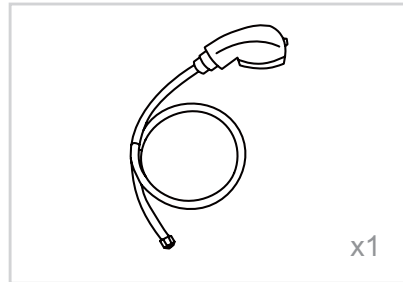
x4

101005



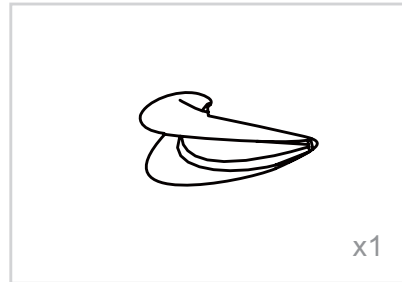
x1

101006



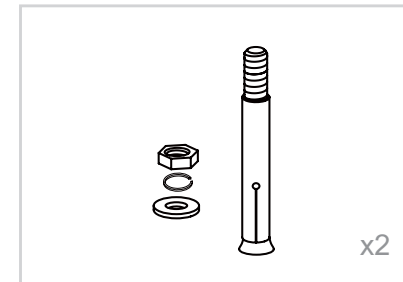
x1

101007



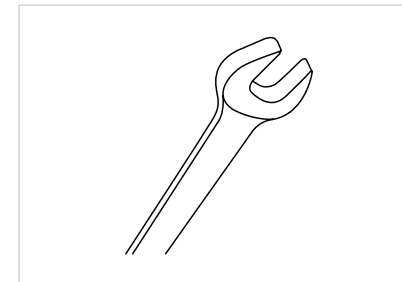
x1

101008



x2

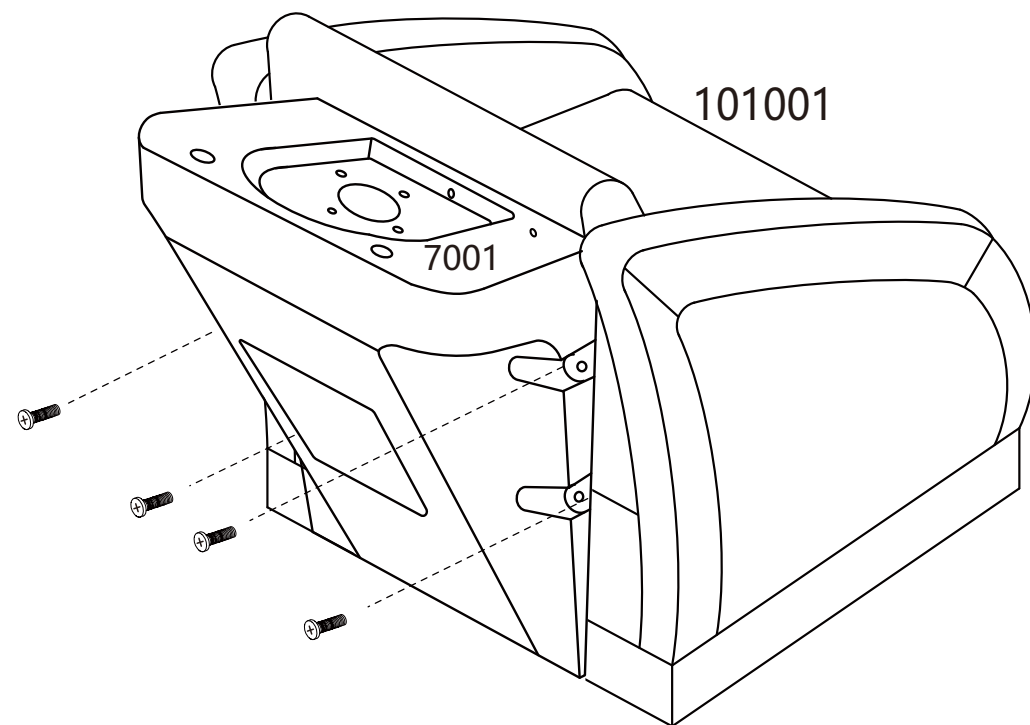
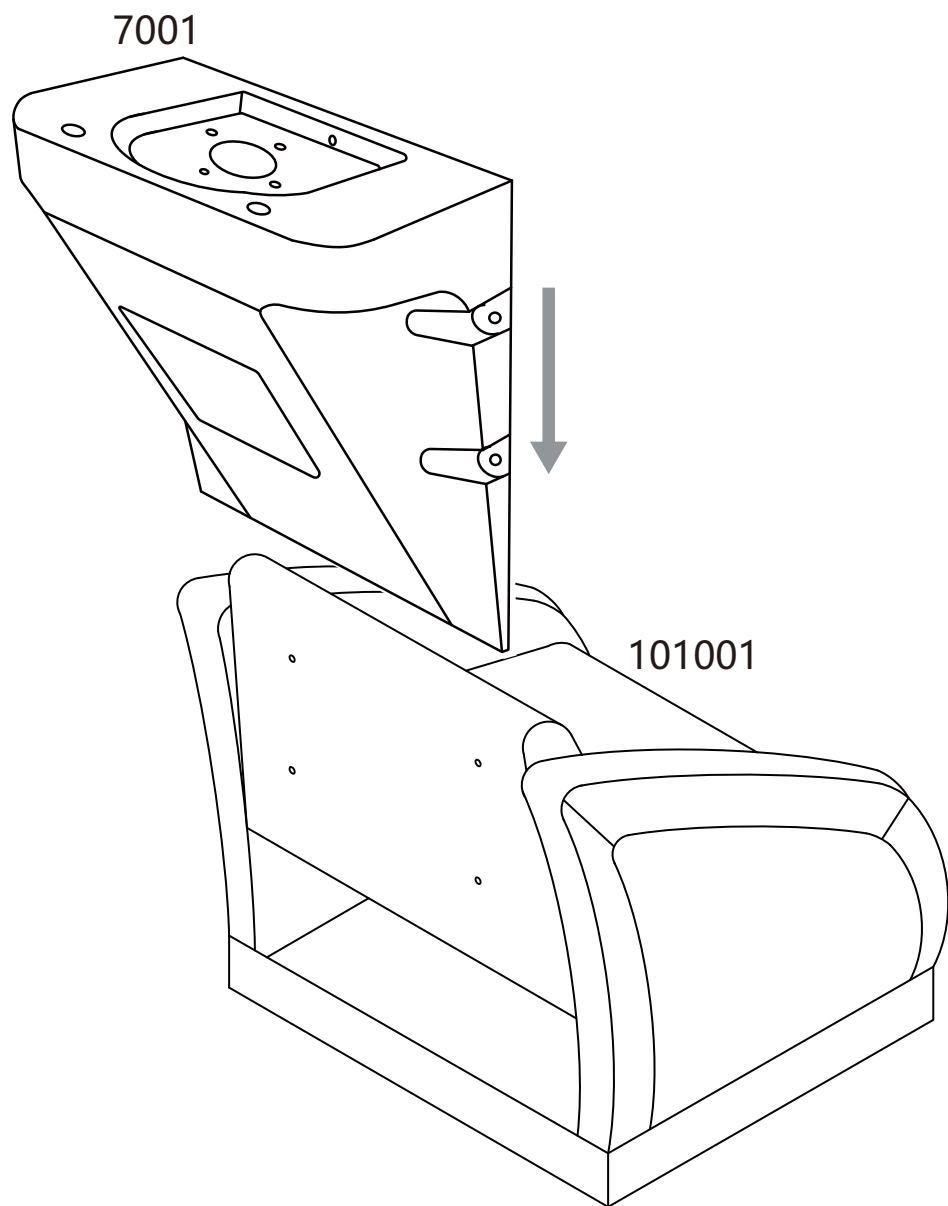
101009



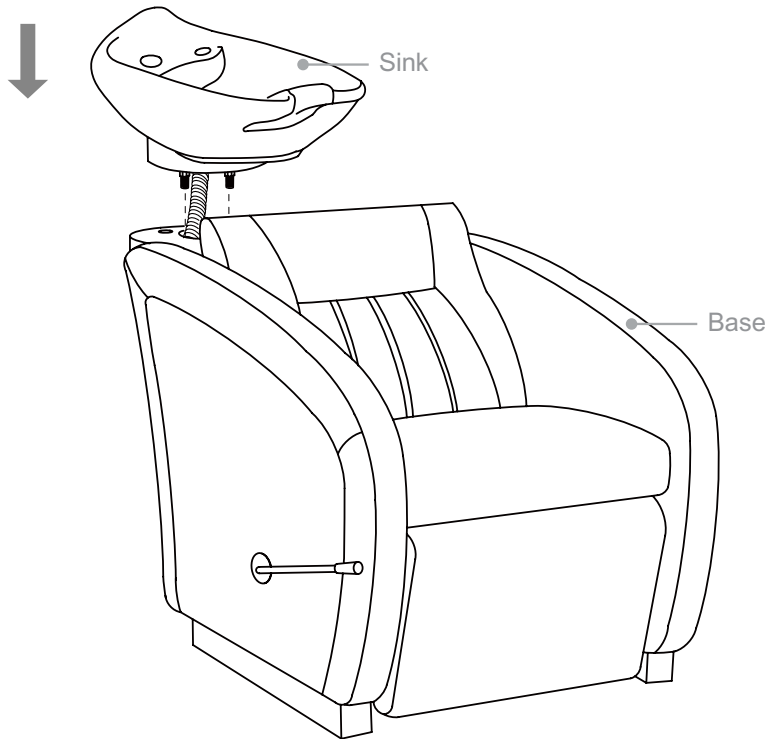
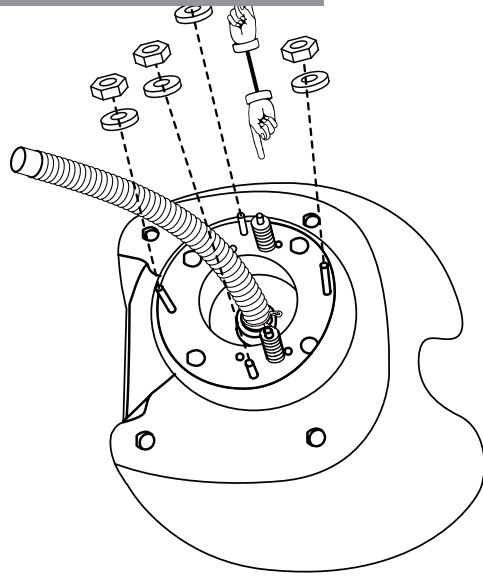
101010

Type	USA size	UK size
Water supply lines Adapter	$\frac{5}{8}$ "	$\frac{1}{2}$ "
Drain Hose Connector	$1 \frac{1}{4}$ "	3.2cm

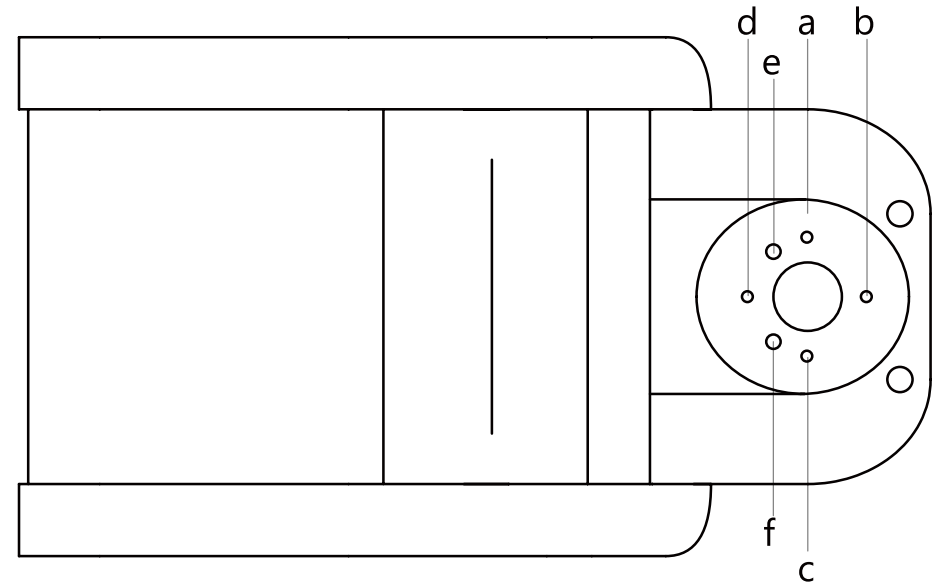
Assembly Instruction 1



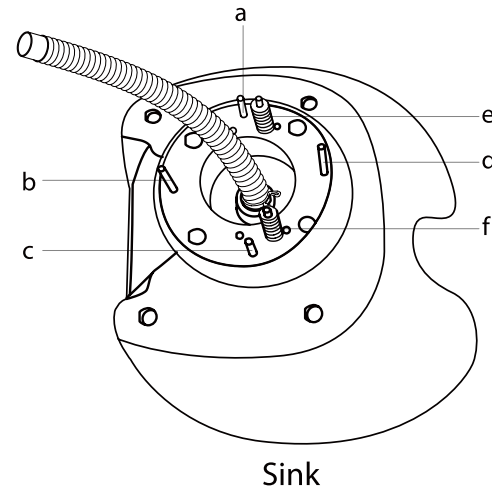
Assembly Instruction2



Front



0350

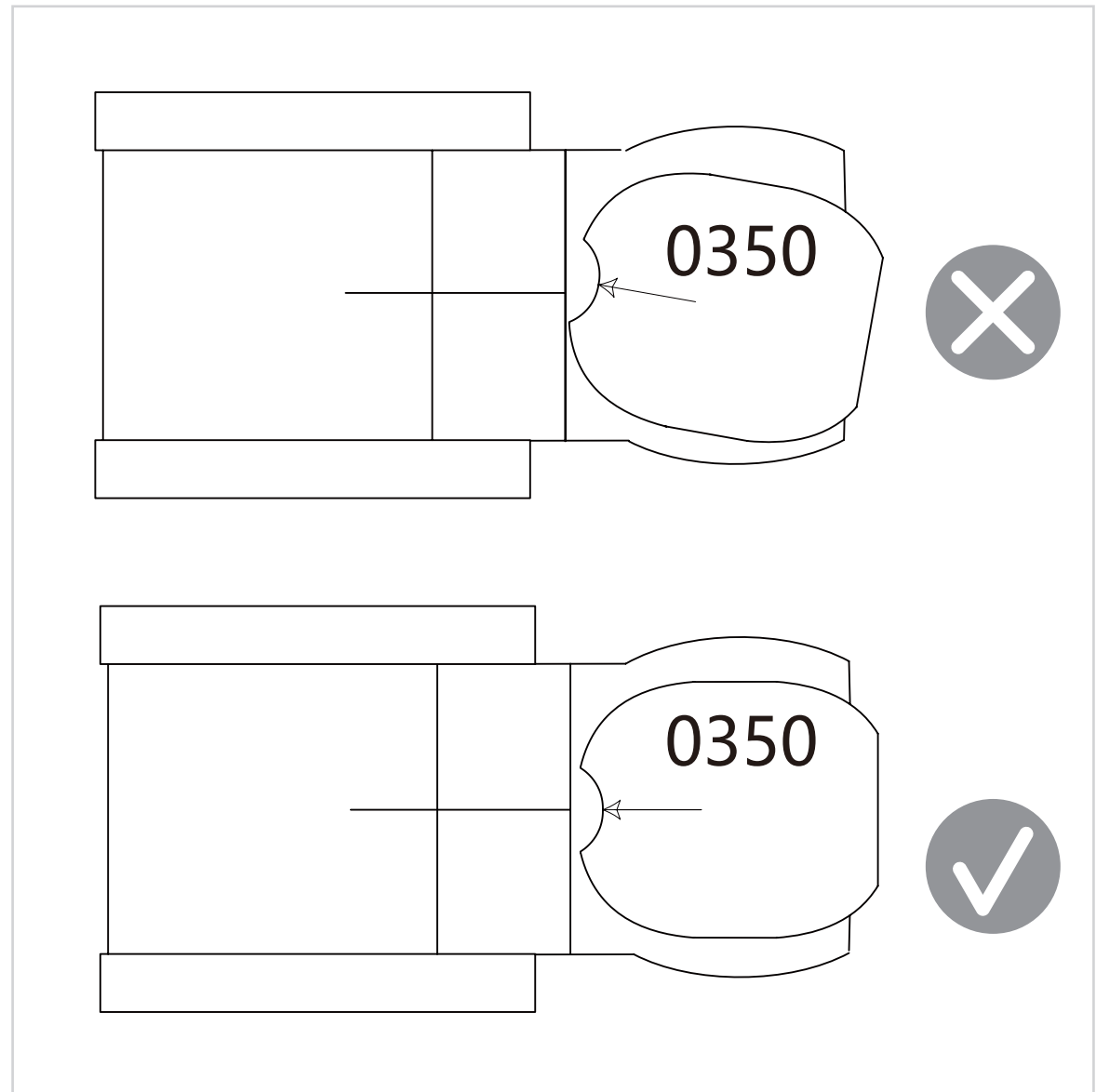
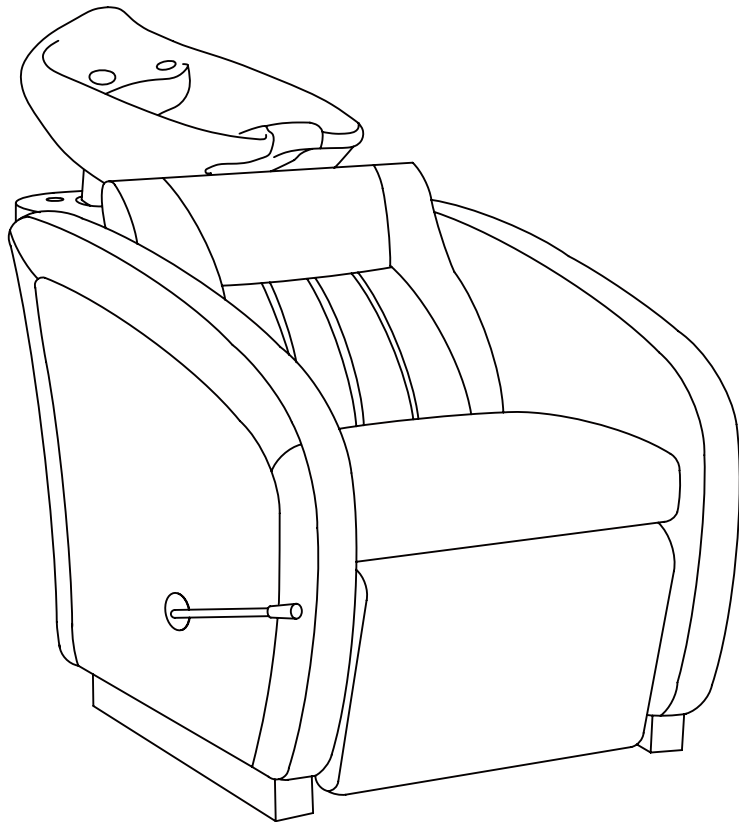


Front

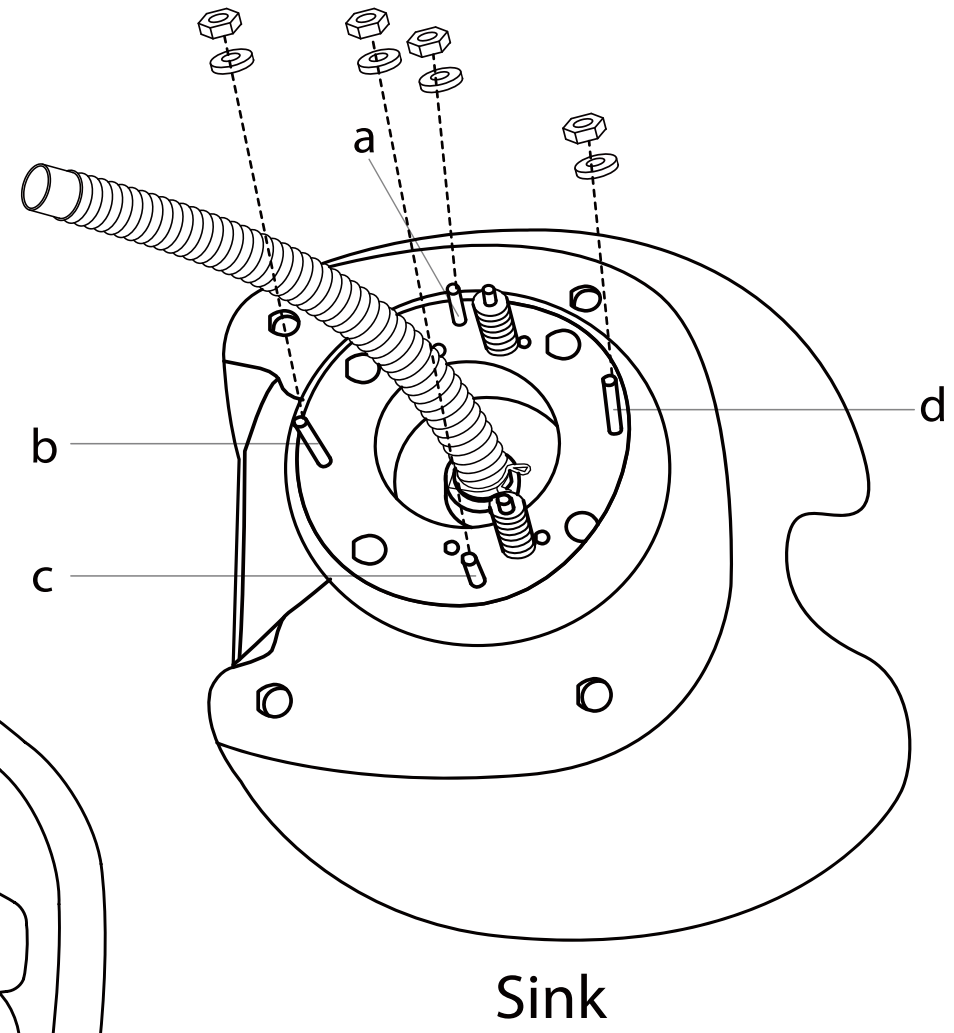
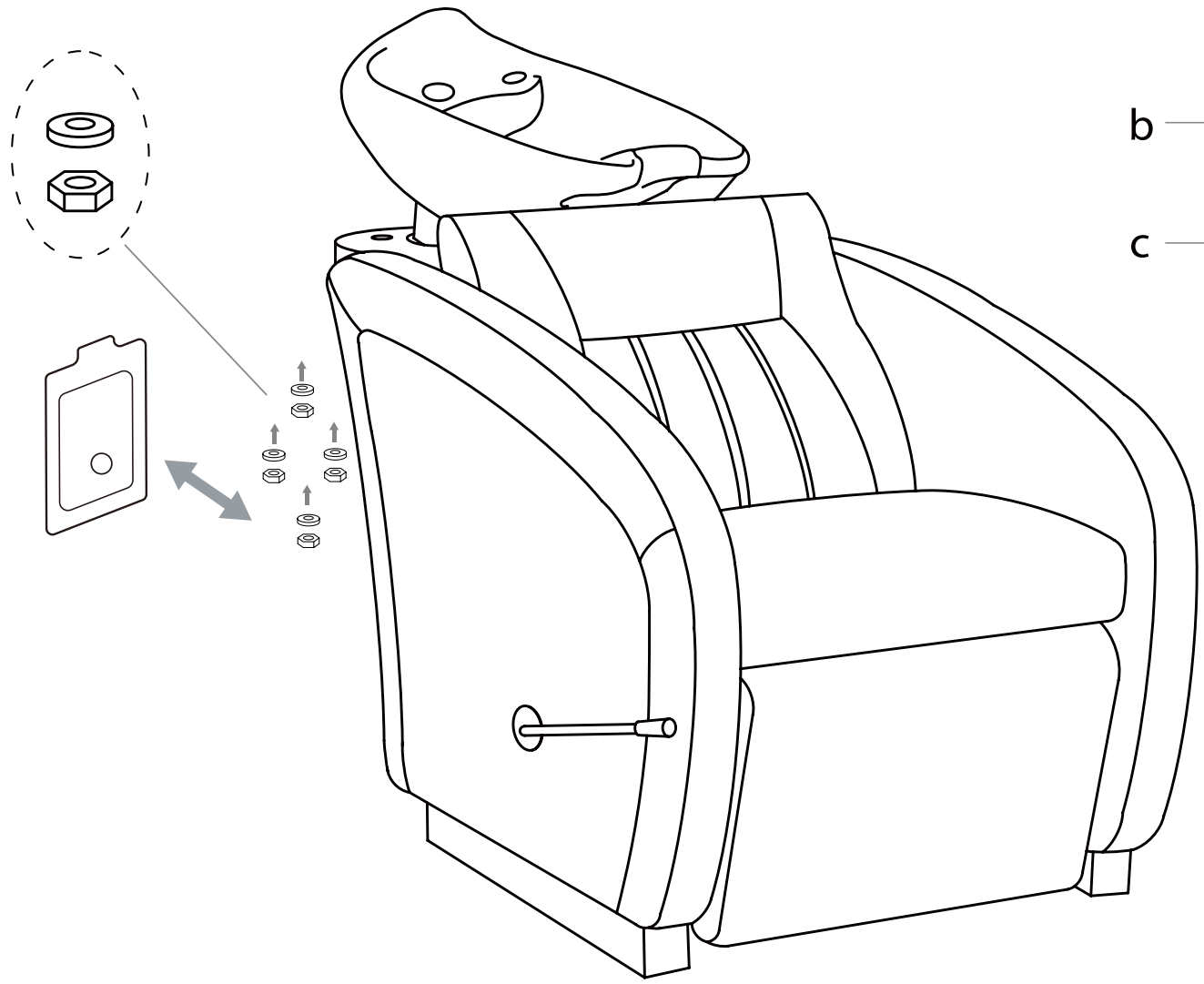


Align the sink to the base as shown in the diagram.

0350



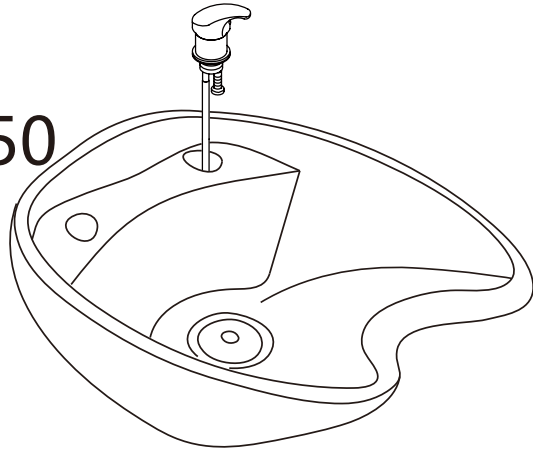
0350



Faucet Set up

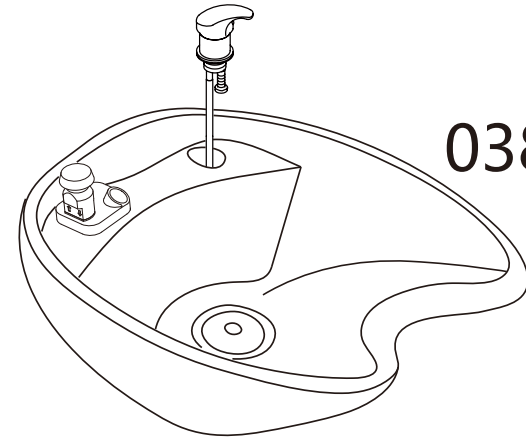
None Vacuum Breaker Sink

0350

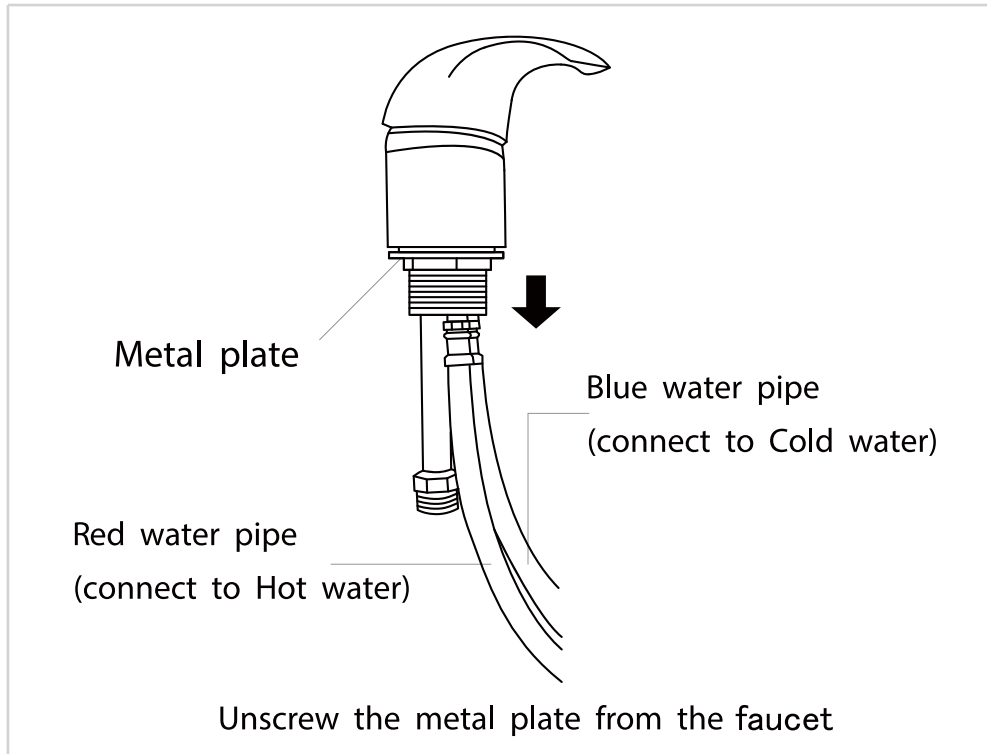


Vacuum Breaker Sink

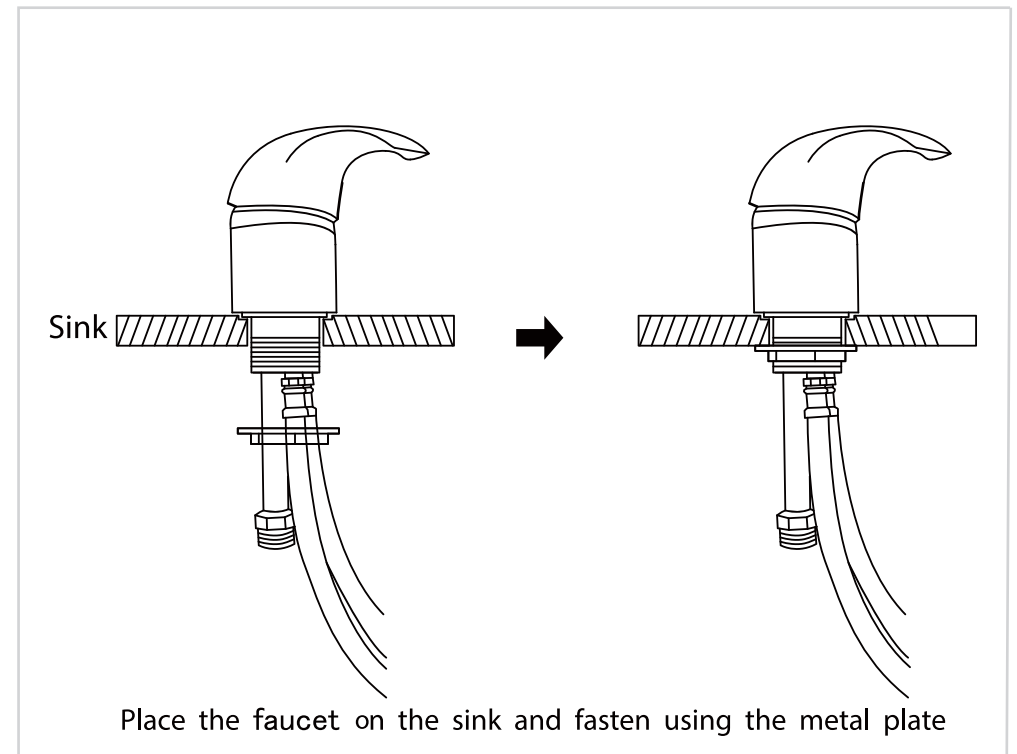
0388



or

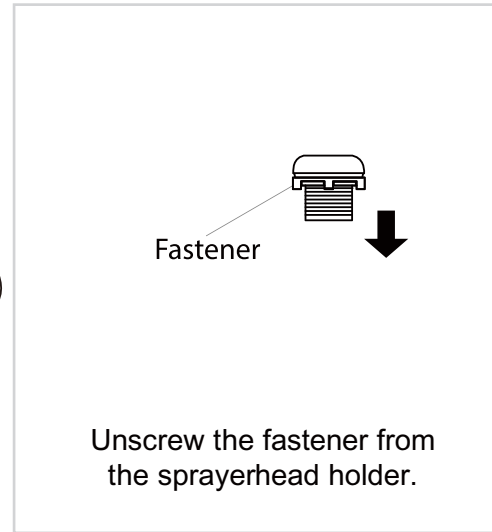
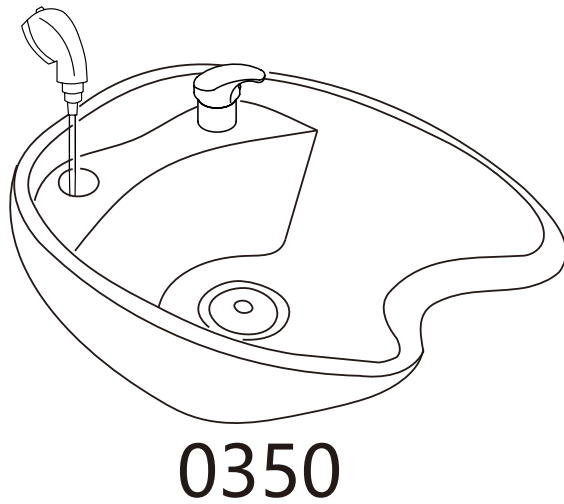


STEP 1

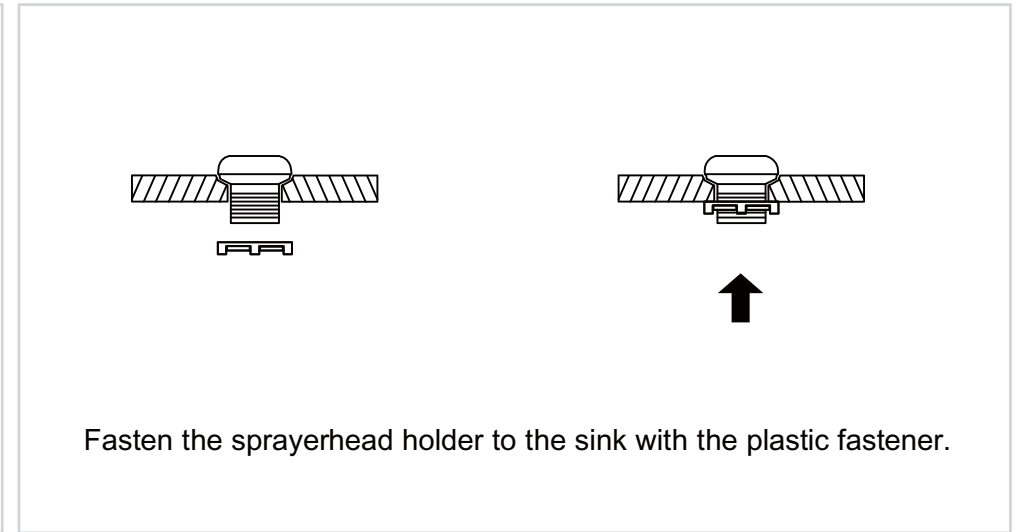


STEP 2

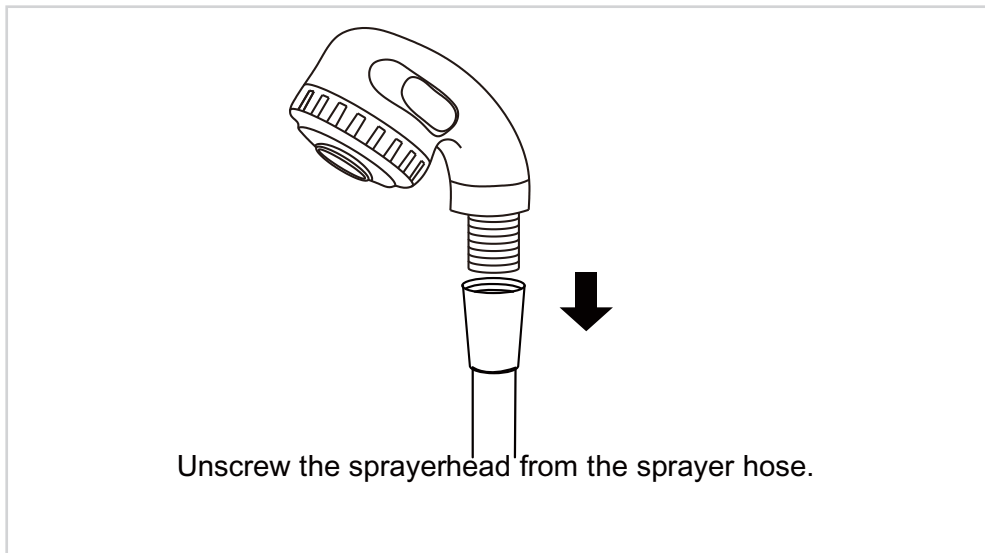
Sprayer Set Up None Vacuum Breaker Sink



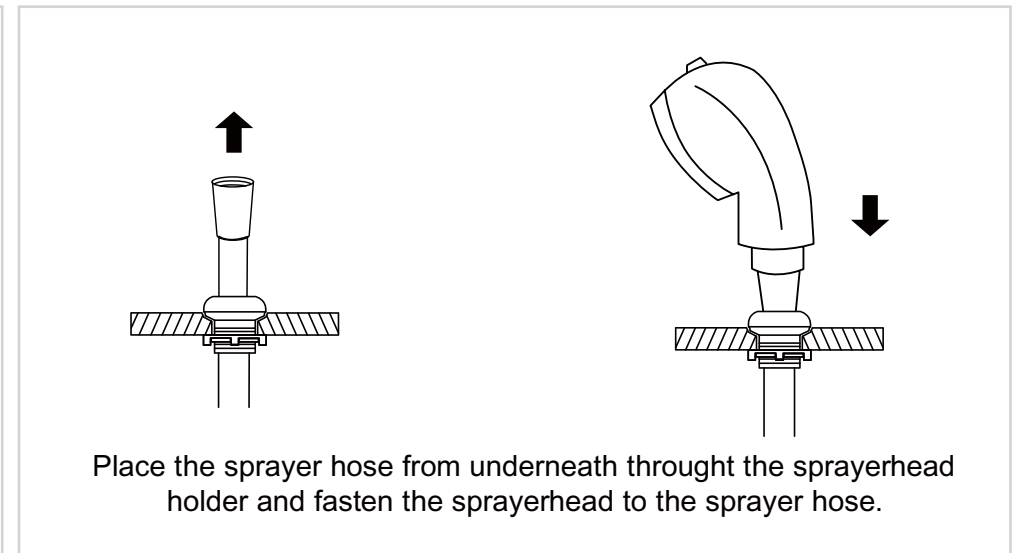
STEP 1



STEP 2

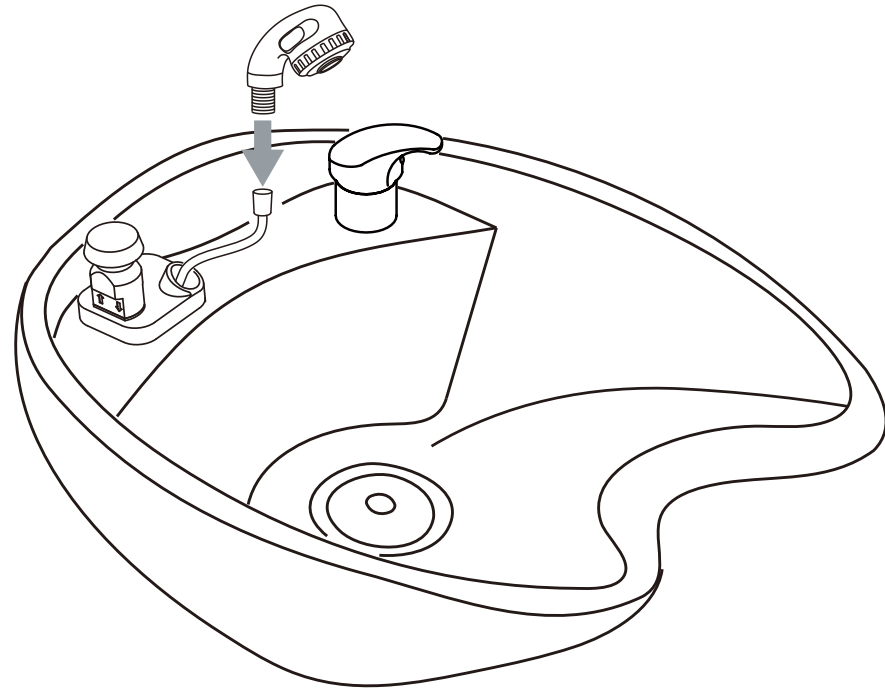


STEP 3

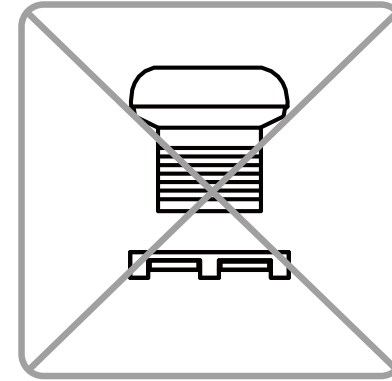


STEP 4

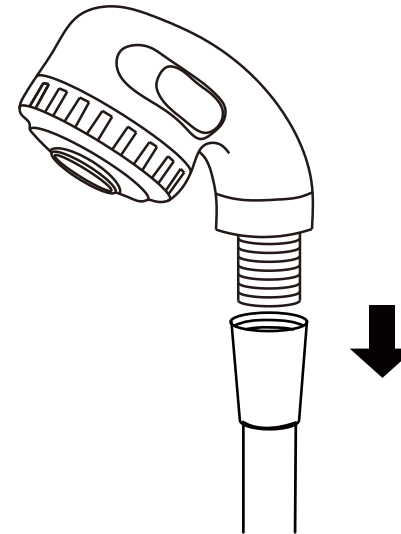
Sprayer Set Up Vacuum Breaker Sink



0388

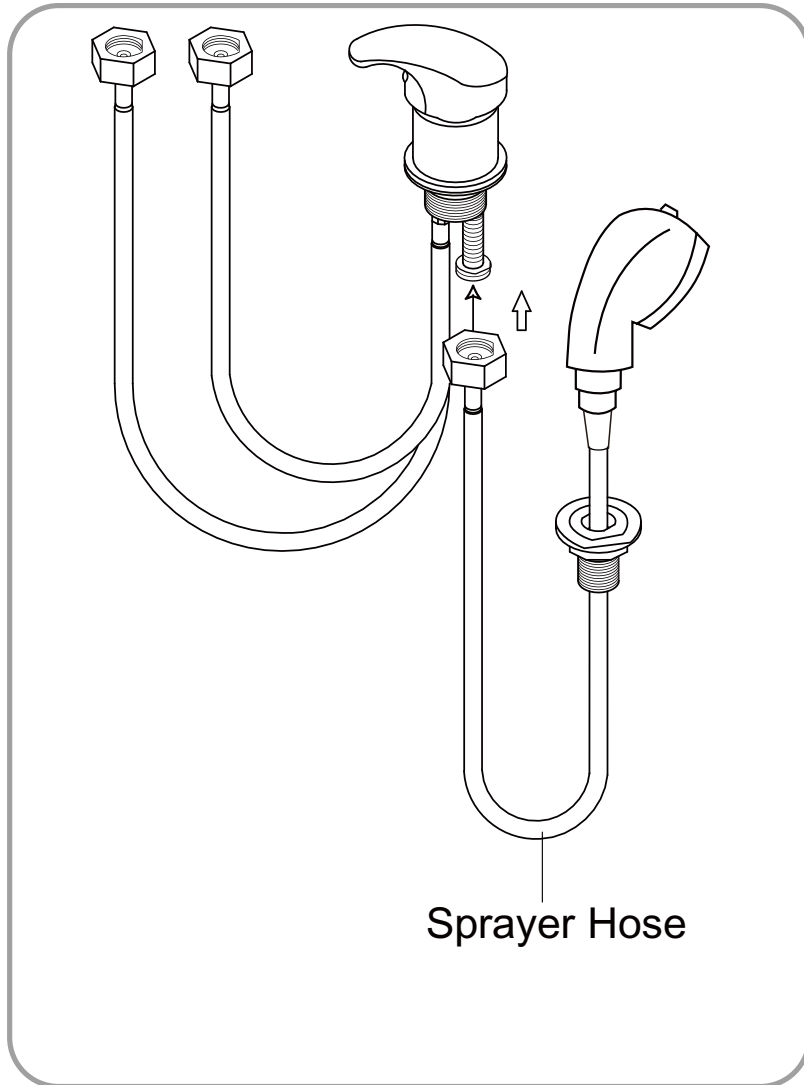


no need



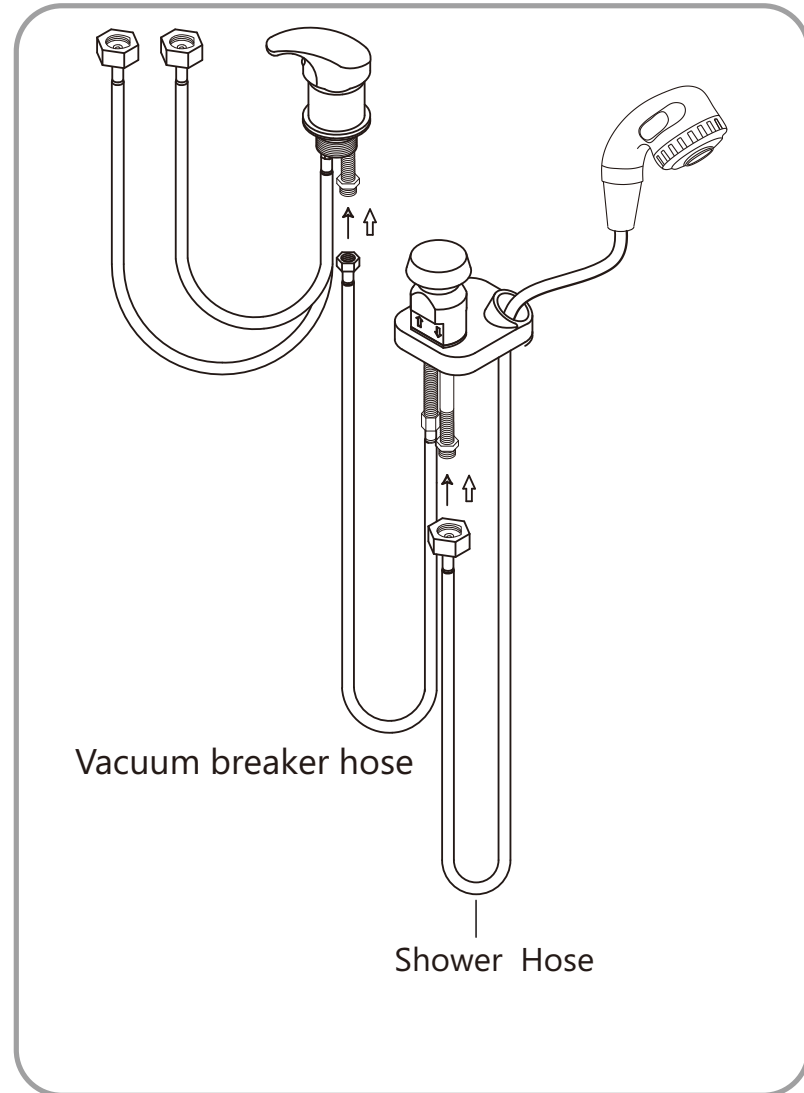
Unscrew the sprayerhead from the sprayer hose.

None Vacuum Breaker Sink



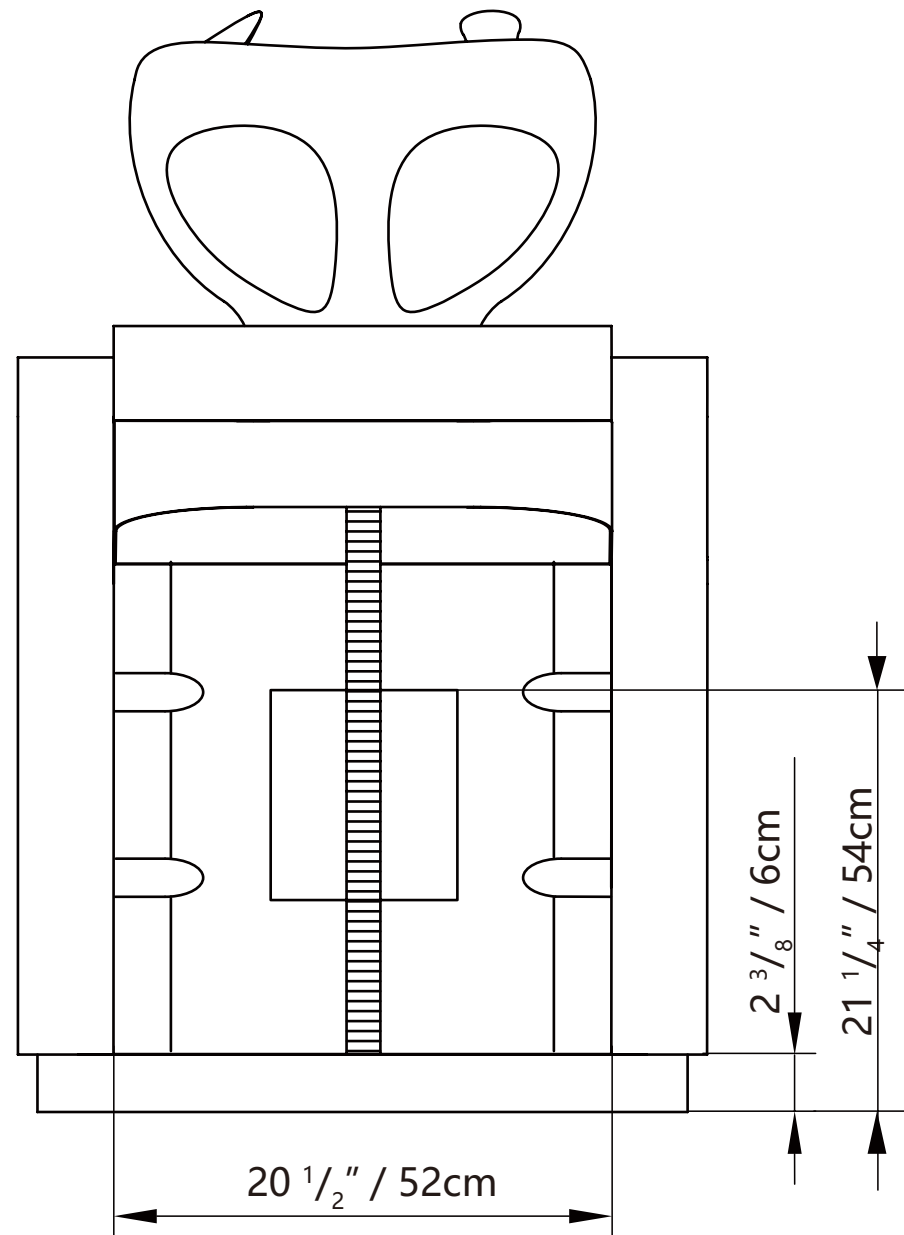
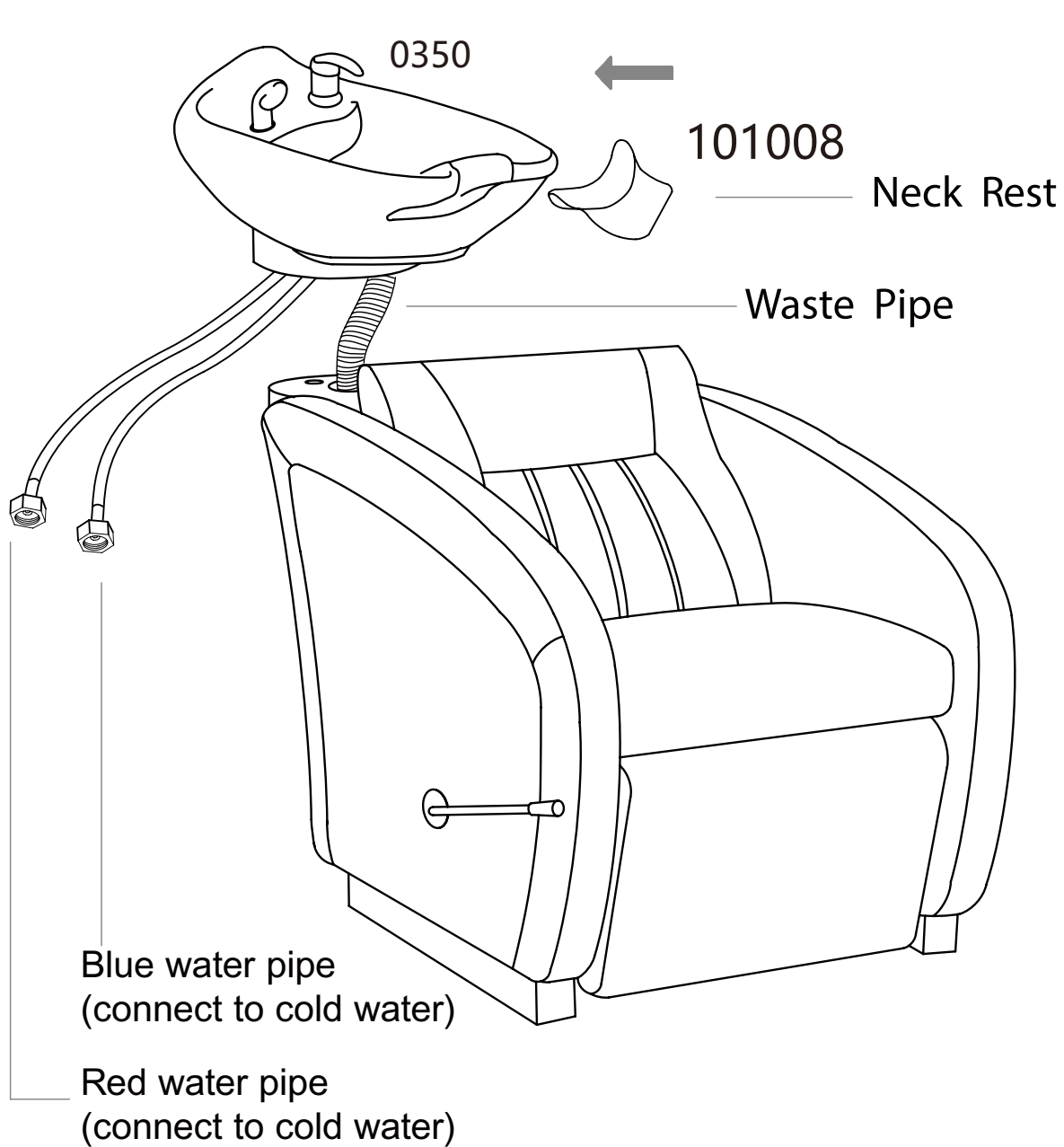
or

Vacuum Breaker Sink

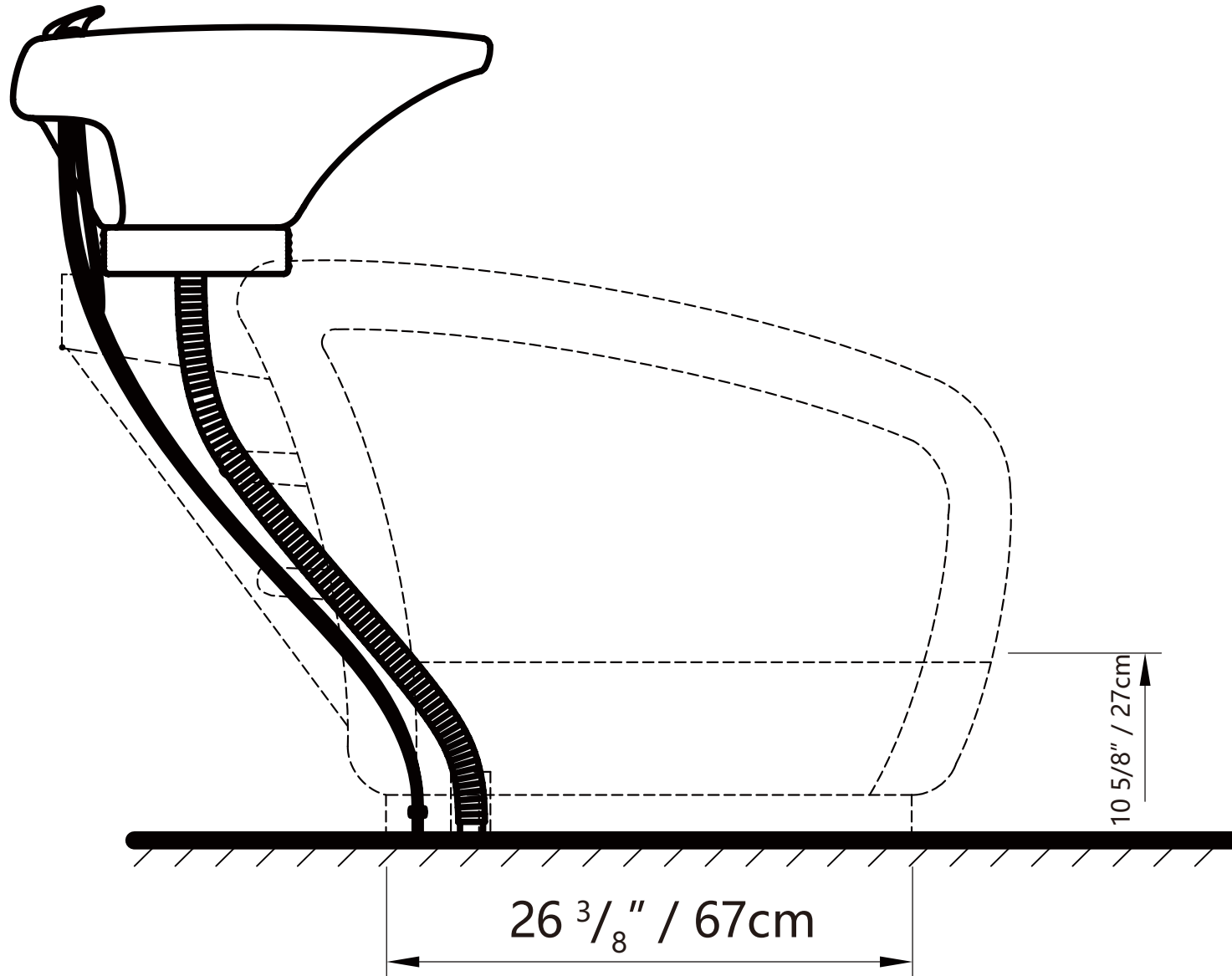


Plumbing setup:

*removable back panel to route both water supply lines and make all connections.



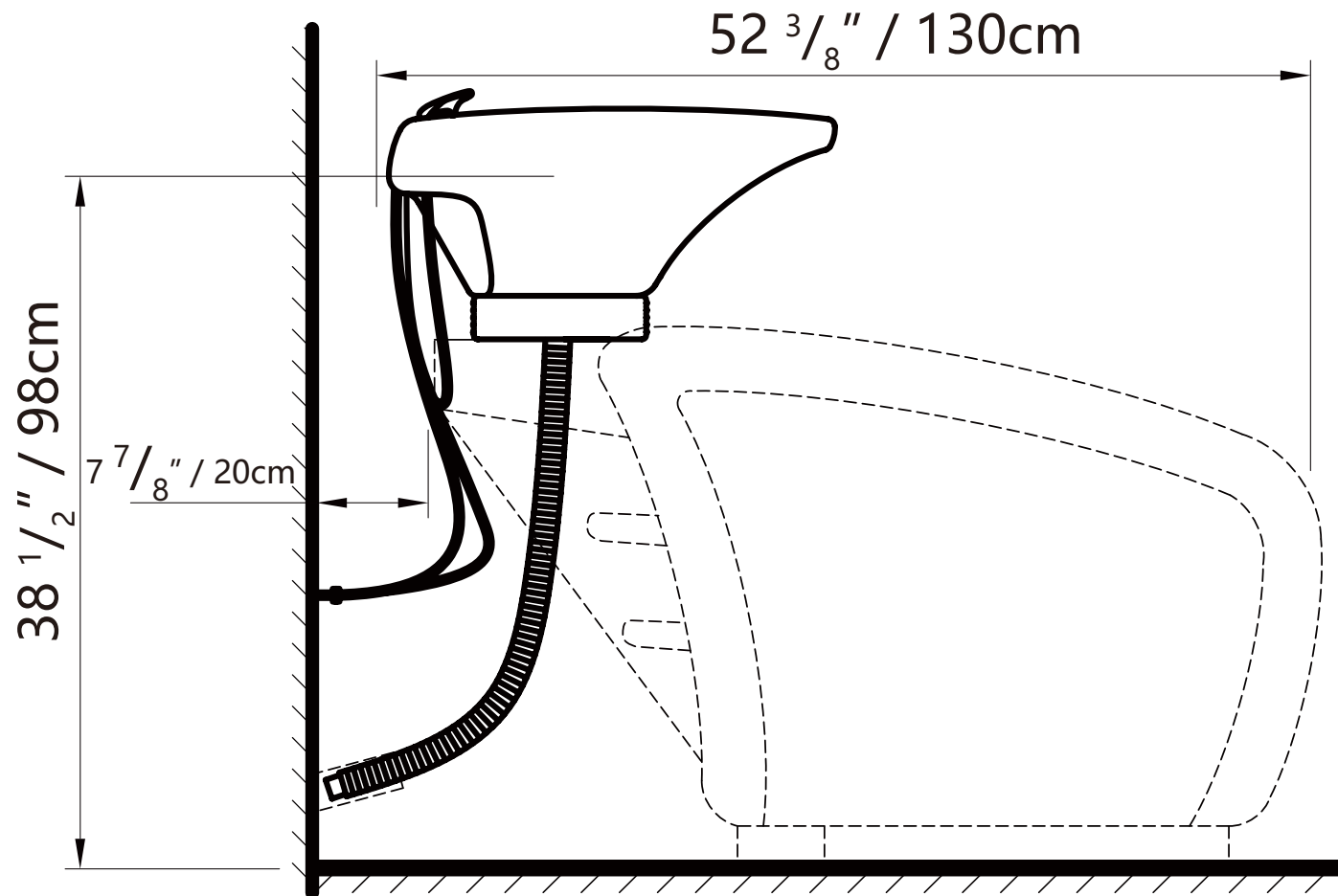
Floor plumbing setup:
Circle opening on removable back for drain pipe exit



Wall plumbing setup:

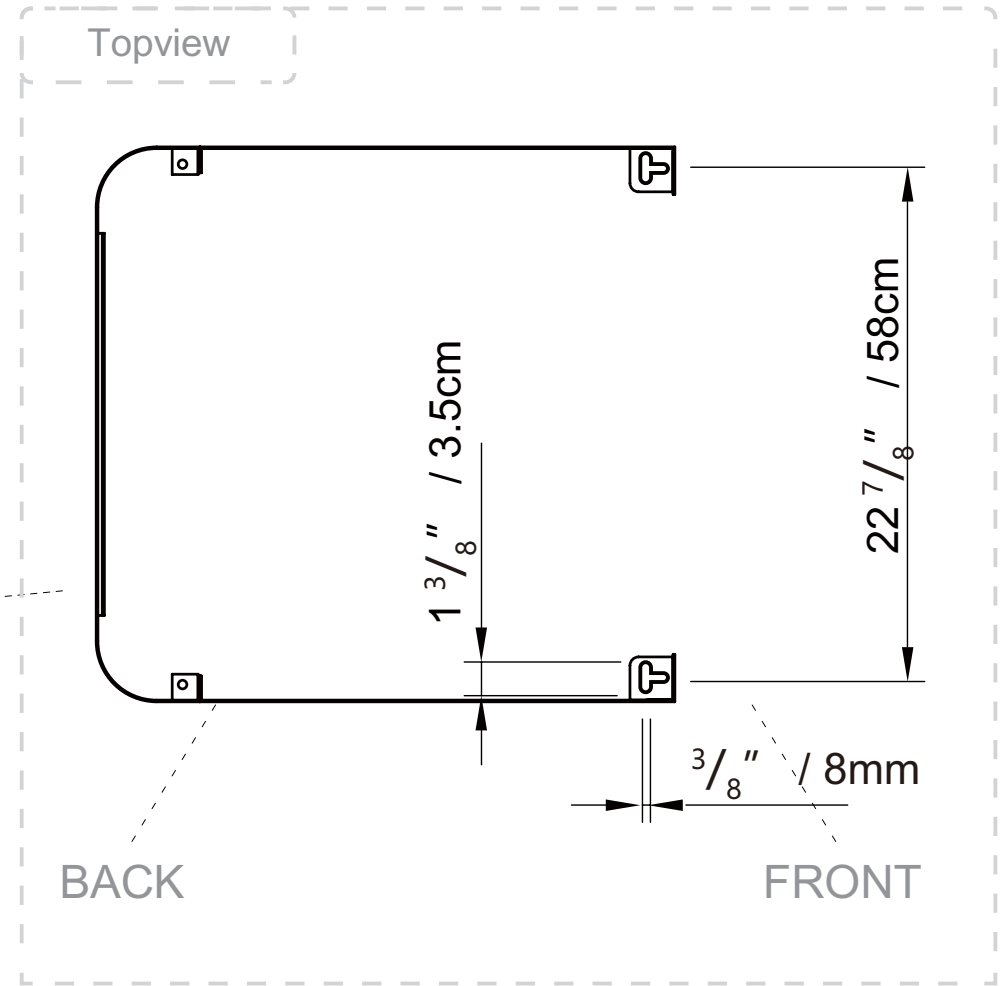
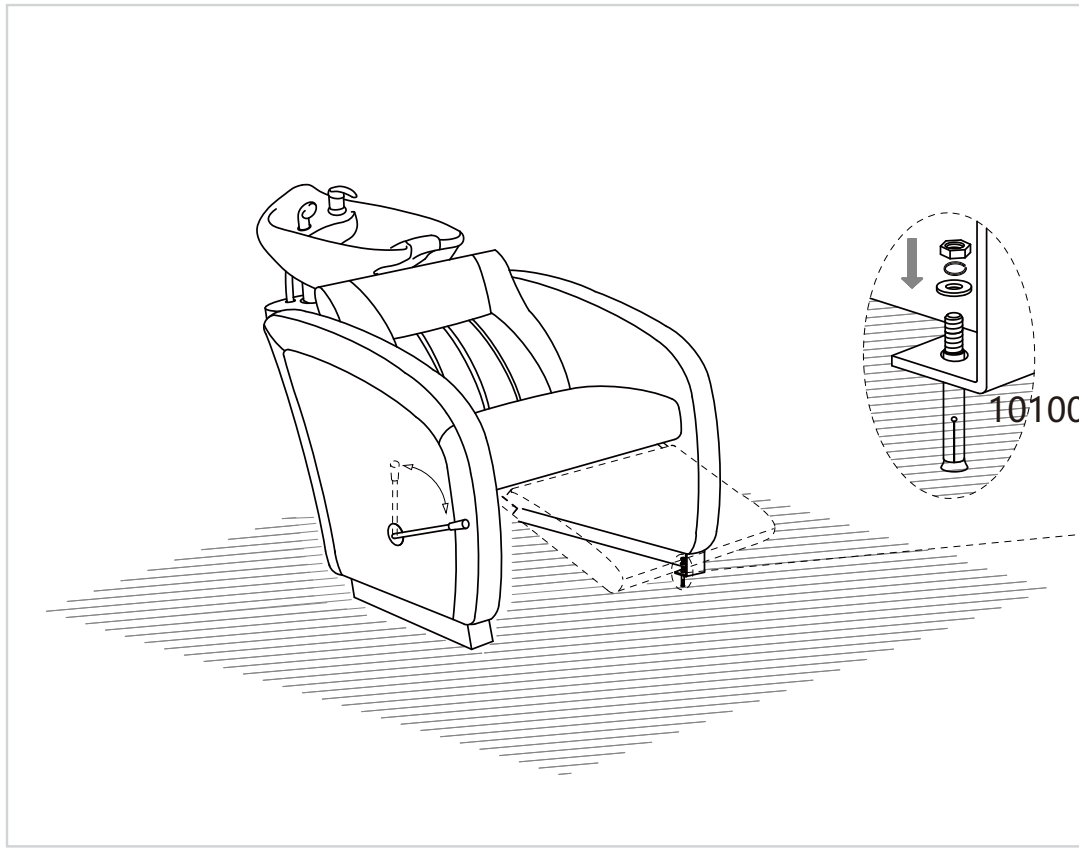
All connection pipes are enclosed within the base unit.

Water supply lines are routed into the unit via circle opening on the back of the base.

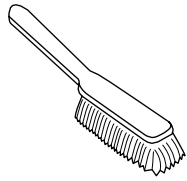


Please leave minimum $7 \frac{7}{8}'' / 20\text{cm}$ of space measuring from finished wall to the back of the sink to allow sinks tilting position.

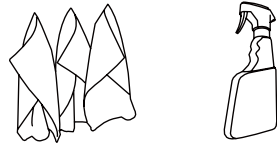
Secure the backwash on the floor by the provided floor anchors.



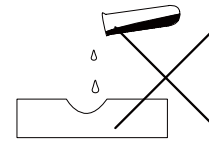
Product care



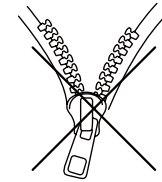
Brush away excess hair



Clean surface with damp cloth or use simple soap & water solution.



Avoid using corrosive cleaning agents such as bleaches.



Do not remove upholstery for cleaning

Warranty

The warranty period is one year. DIR warrants to you, the original buyer, that goods shall be free of defects in material and/or workmanship attributable to manufacture for one year from date of receipt of product. Damage resulting from improper handling after merchandise is received, or from exposure to weather or extreme atmospheric conditions is not covered by the warranty. For any other information please contact our support team:

DIR Birmingham

66 Rea Street South
Birmingham
B5 6LB

Email: sales@dirstore.co.uk
Phone: +44 (0) 121 6434777

DIR London

Unit 1 River Road Business Park,
33 River Road, Barking,
Greater London, 1G11 0DA

Email: london@dirstore.co.uk
Phone: +44 (0) 20 8591 9310

DIR New York

575 Underhill Blvd Suite #170
Syosset, NY 11791, USA

Email: sales@dirsalonfurniture.com
Phone: +1 (718) 628 6668
+1 (800) 728 2008
Fax: +1 (855) 628 5168